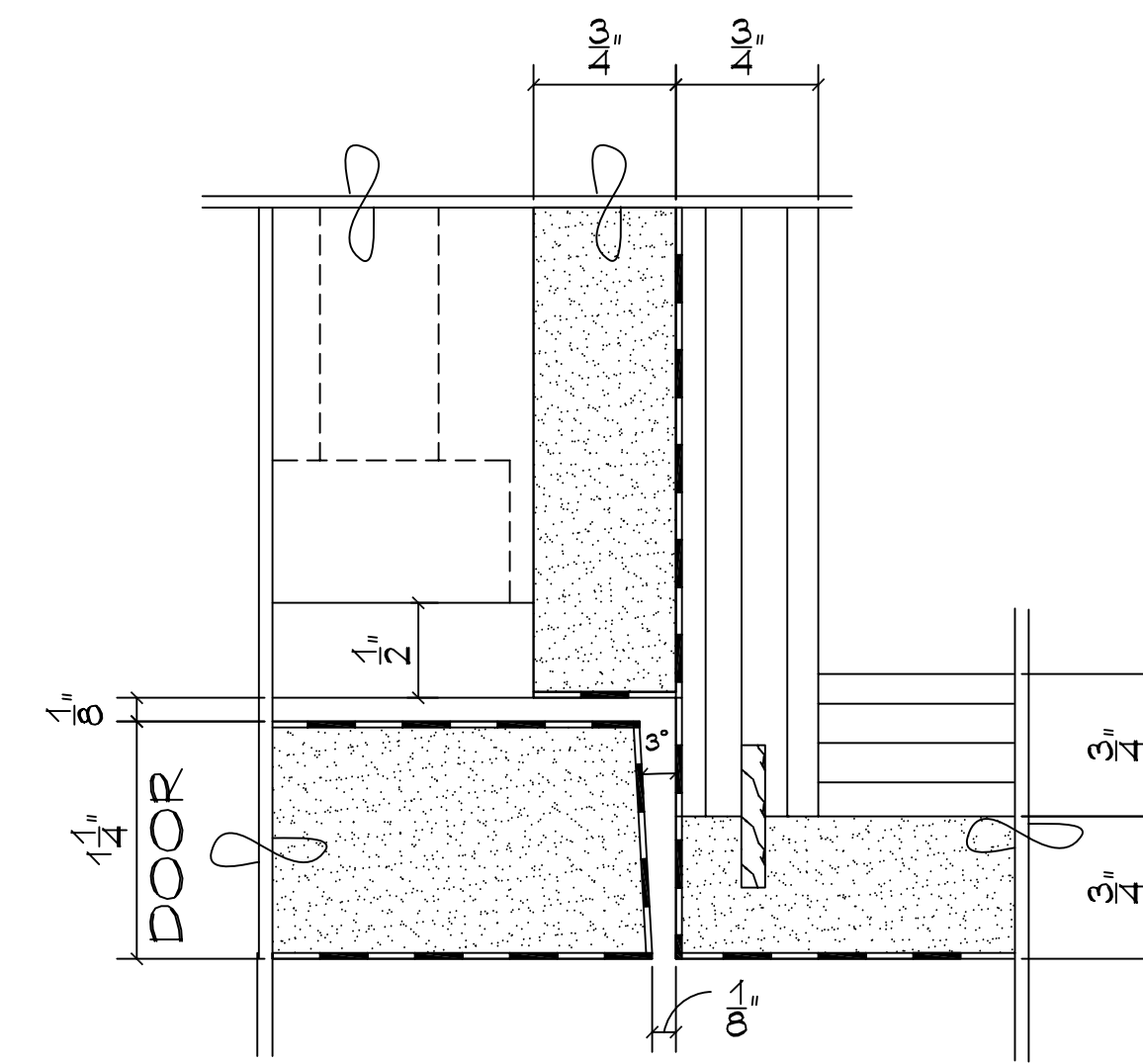
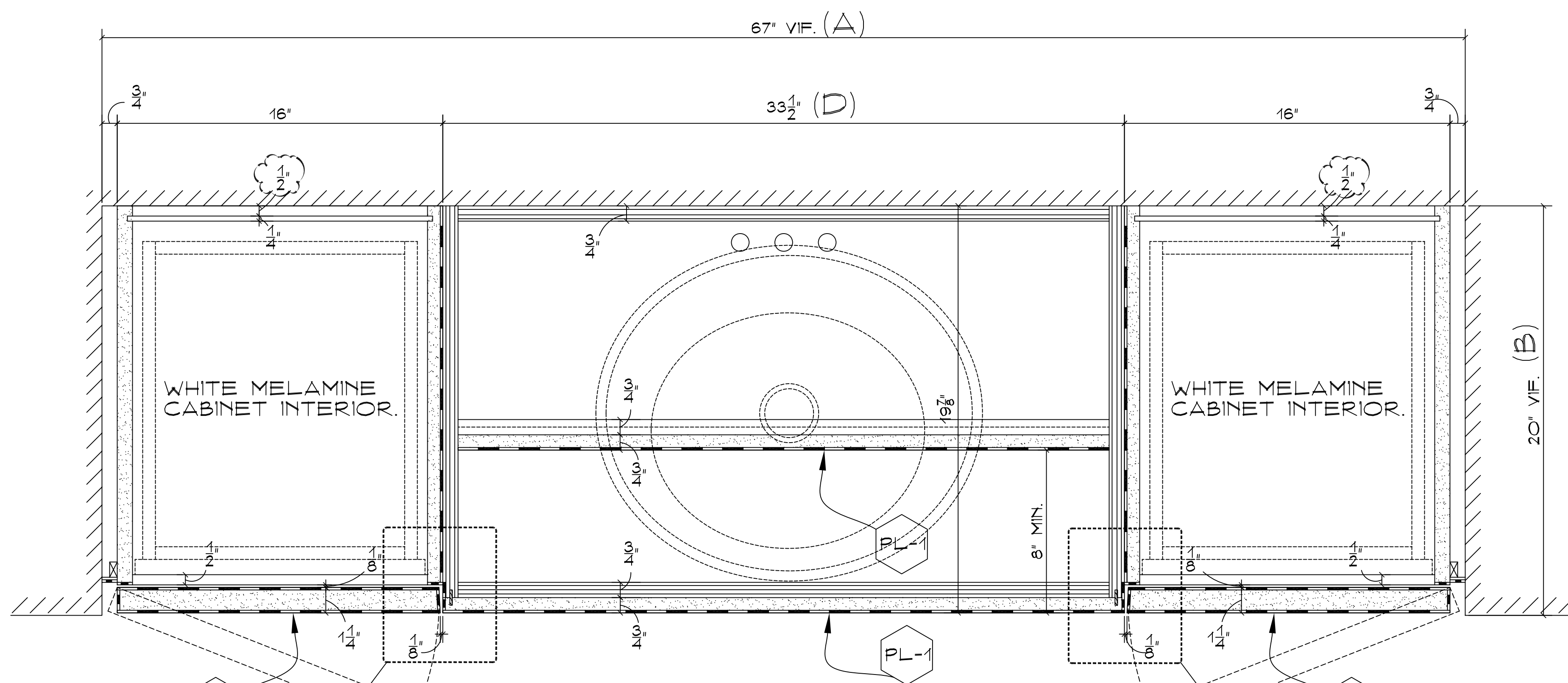


2 DOUBLE WARDROBE MIDDLE PLAN SECTION.
SC. 3/4"=1'-0"



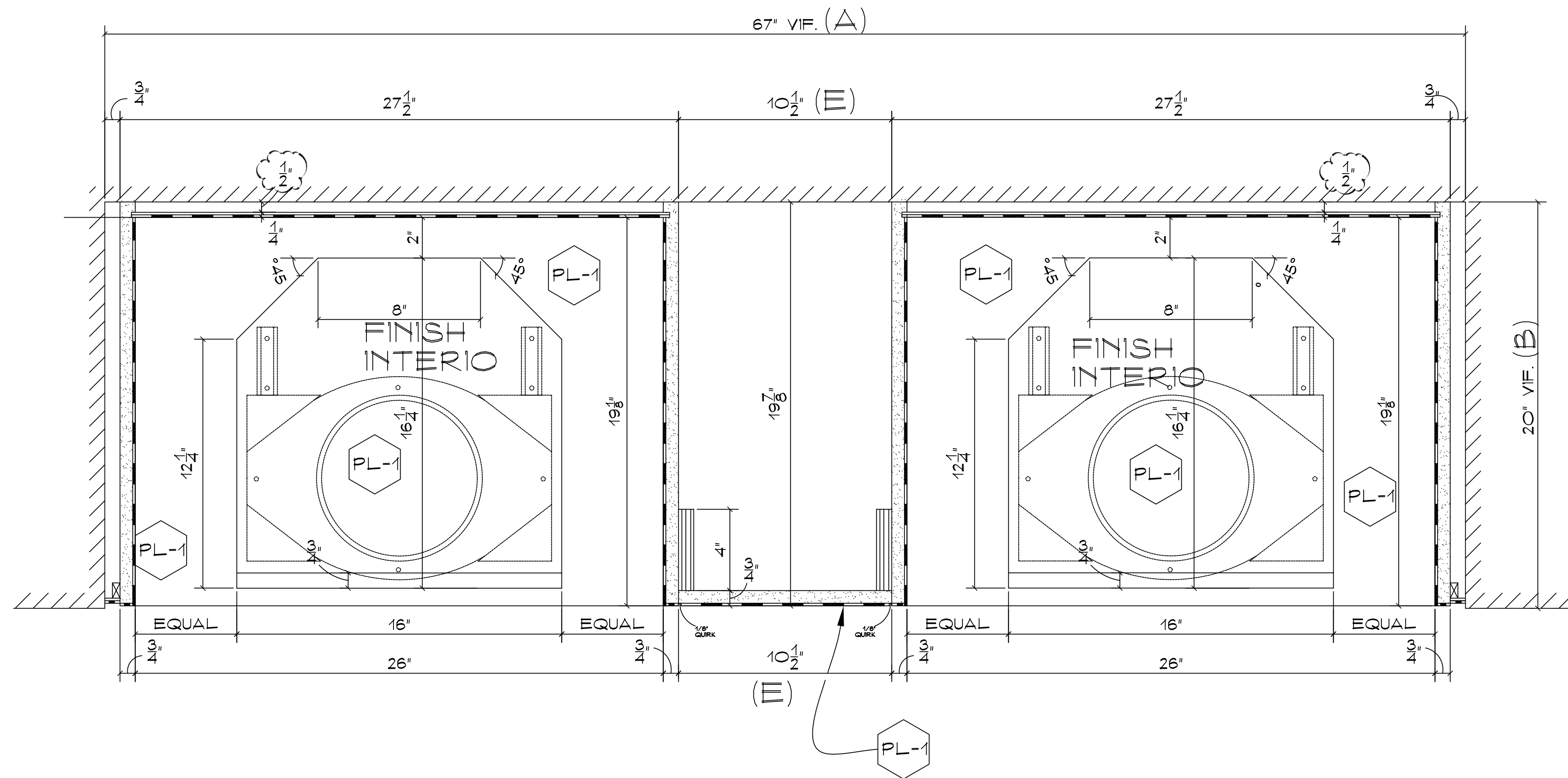
A TYPICAL DOOR DETAIL
SC. FULL SCALE



1 DOUBLE WARDROBE LOWER PLAN SECTION.
SC. 3/4"=1'-0"

OPP.HAND.

| REV.#/BY | DATE | REVISION |
|--|-----------------------|-------------------|
| | | |
| | | |
| | | |
| | | |
| ARCHITECT: | | |
| GC: TDX CONSTRUCTION | | |
| PROJECT: JACOBI MEDICAL CENTER 1400 PELHAM PKWY SO. & EASTCHESTER RD BRONX NEW YORK 10001 | | |
| MILLWORK ITEMS: DOUBLE WARDROBE CABINET PLAN SECTIONS | | |
| SCALE: AS NOTED | BY: N.M | DATE: 12/05/06 |
| JOB NO. 3908 | DRAWING NO. 2 OF 4 | |



① DOUBLE WARDROBE UPPER PLAN SECTION.
SC. 3/4"=1'-0"

| REV.#/BY | DATE | REVISION |
|--|-----------------------|-------------------|
| | | |
| | | |
| | | |
| | | |
| | | |
| ARCHITECT: | | |
| GC: TDX CONSTRUCTION | | |
| PROJECT: JACOBI MEDICAL CENTER 1400 PELHAM PKWY SO. & EASTCHESTER RD BRONX NEW YORK 10001 | | |
| MILLWORK ITEMS: DOUBLE WARDROBE CABINET PLAN SECTION | | |
| SCALE: AS NOTED | BY: N.M | DATE: 12/05/06 |
| JOB NO. 3908 | DRAWING NO. 3 OF 4 | |

