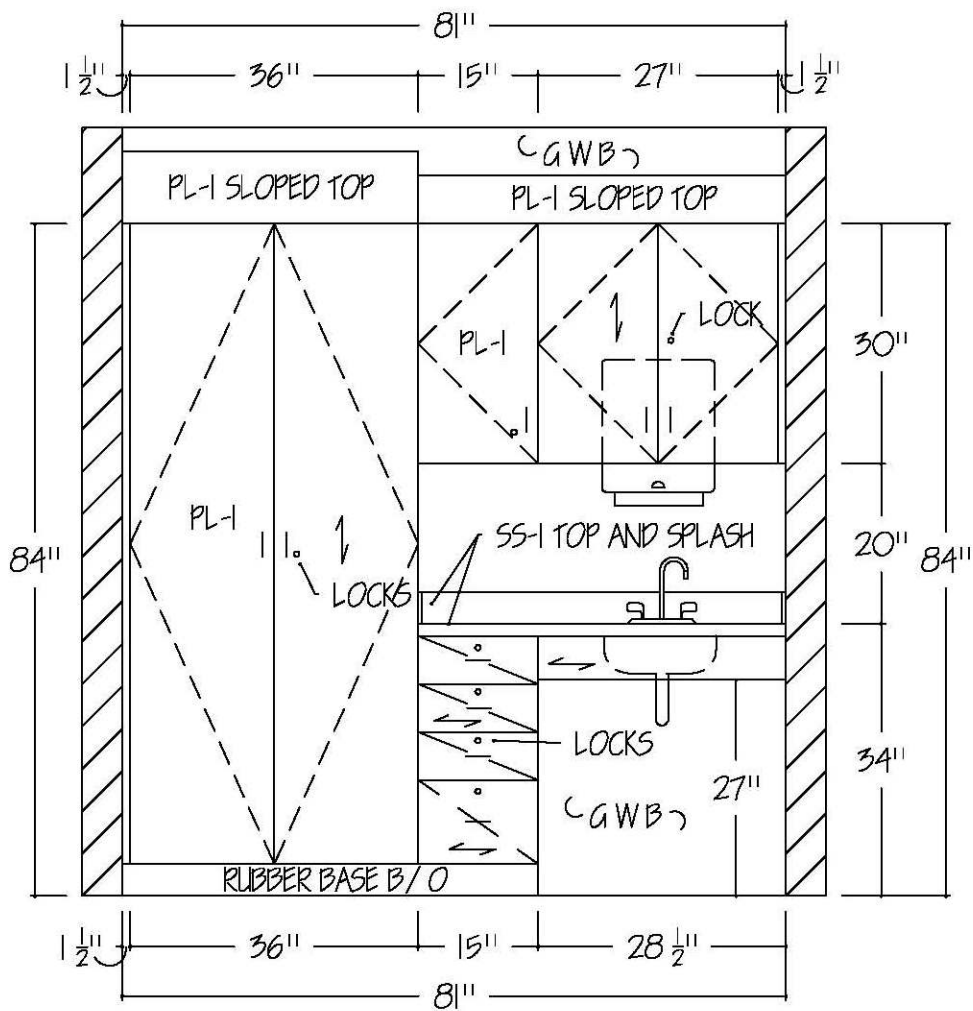
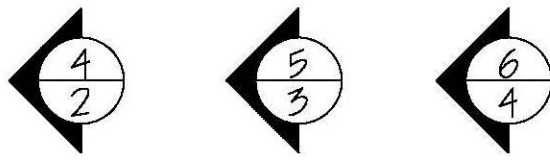
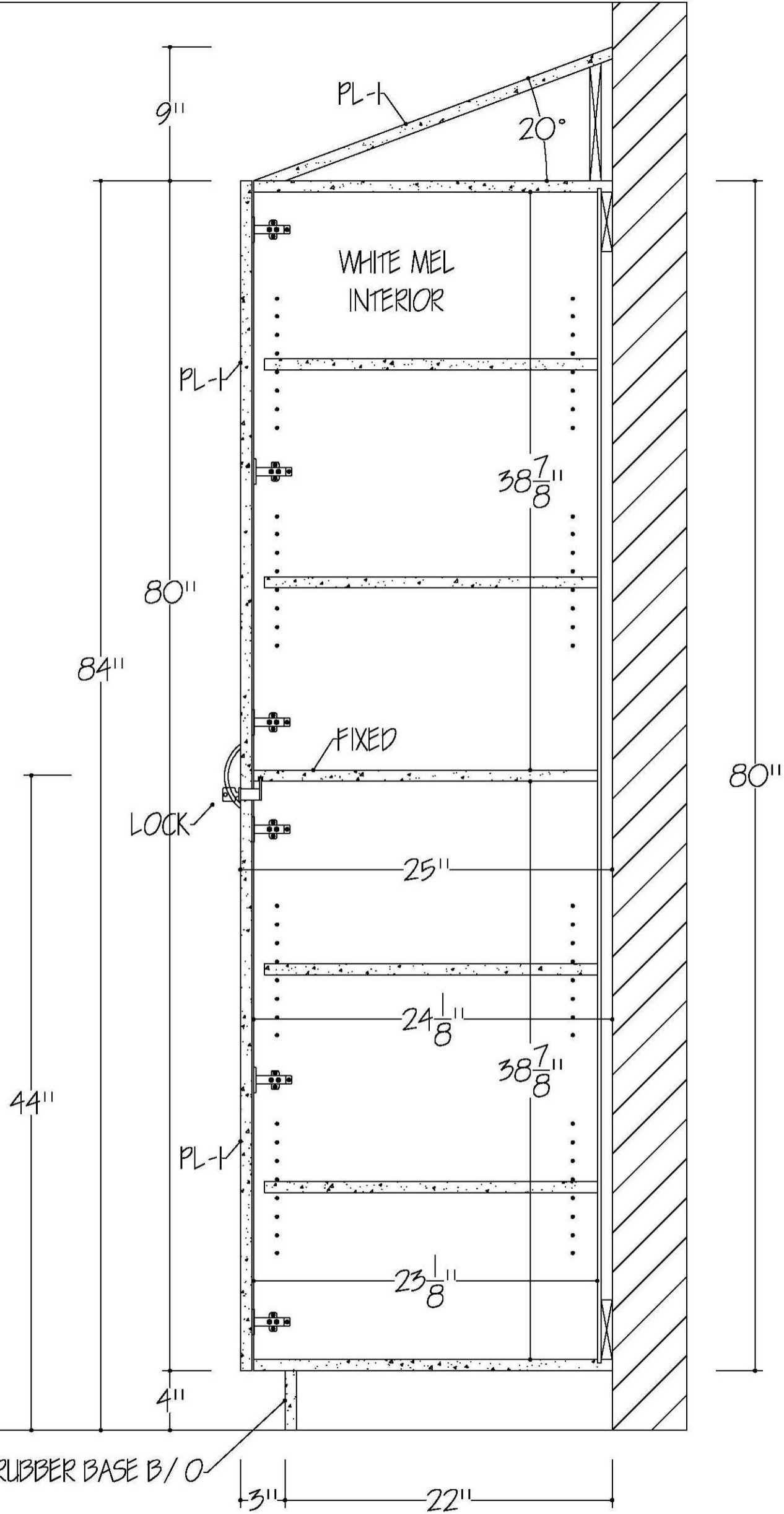


2 PLAN VIEW STAFF IN50
1/2" = 12"



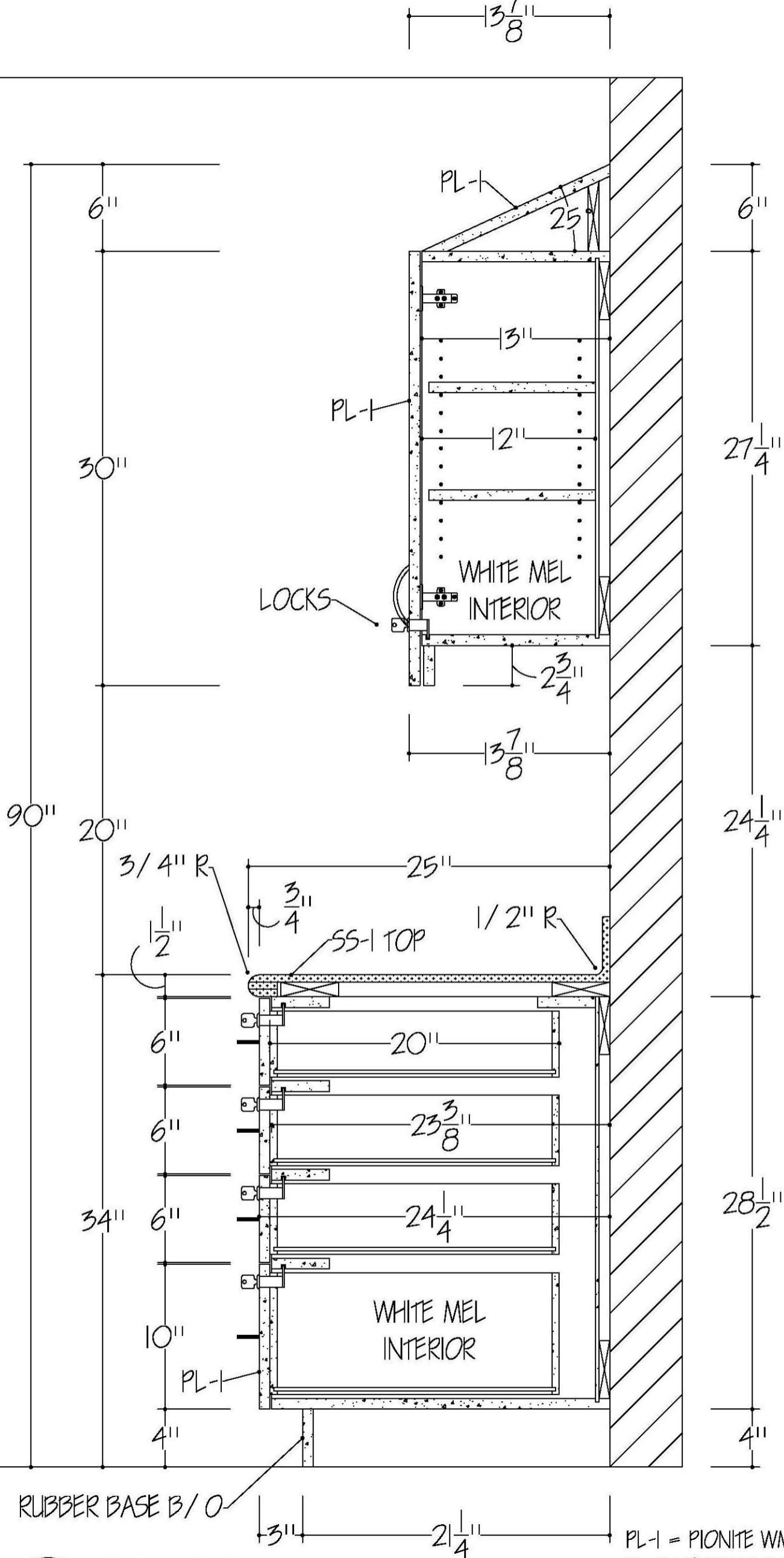
3 ELEVATION STAFF IN50
1/2" = 12"

PL-1 = PIONITE WM951 HONEY MAPLE
PL-2 NEVAMAR SH700IT FLAXEN SHIBO
SS-1 = CORIAN SAVANNAH
CORIAN SINKS = 8045 CAMEO WHITE



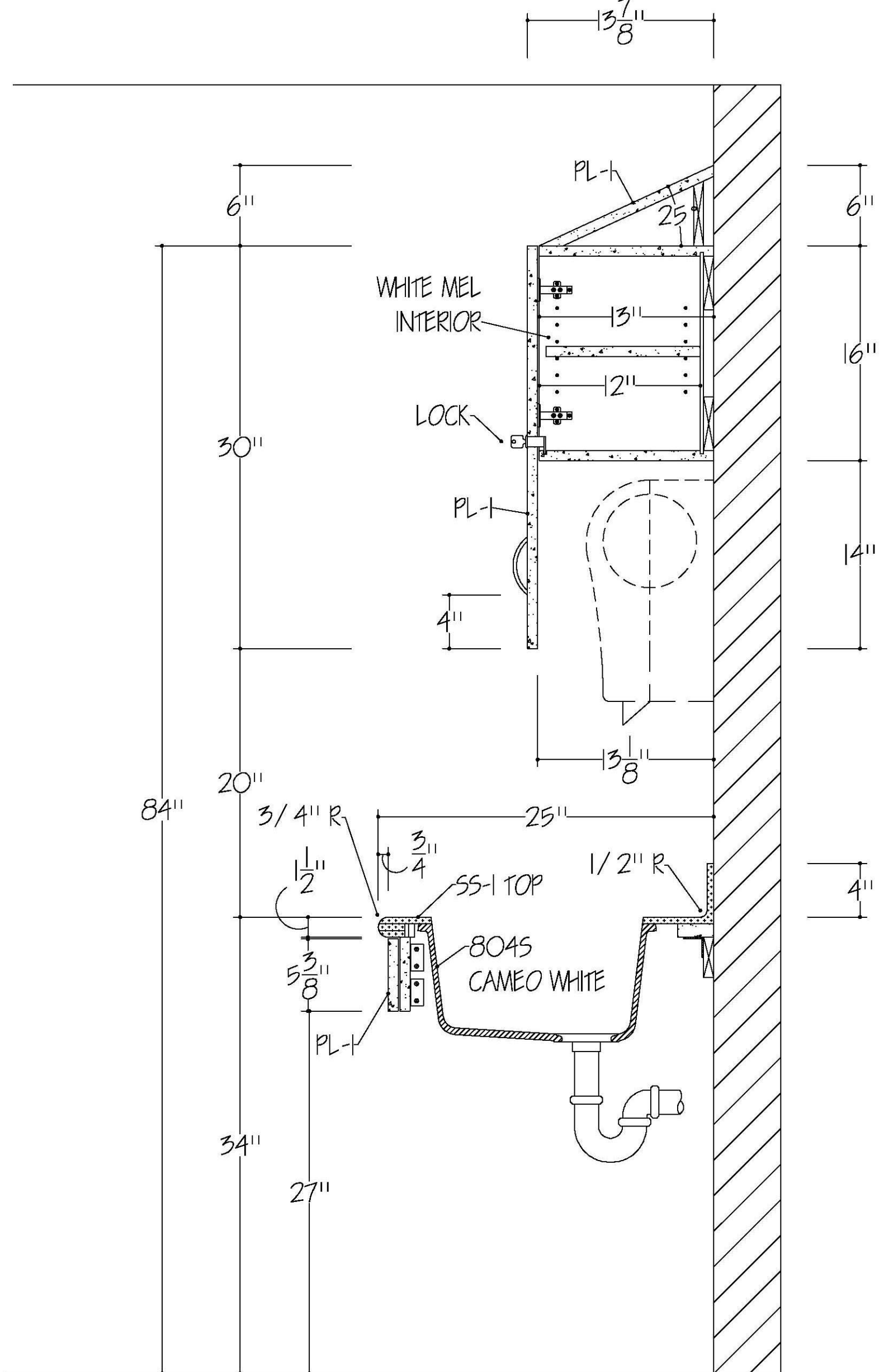
4
 2
 VERTICAL SECTION
 1 1/2" = 12"

PL-1 = PIONITE WM951 HONEY MAPLE
 PL-2 NEVAMAR SH7001T FLAXEN SHIBOR
 SS-1 = CORIAN SAVANNAH
 CORIAN SINKS = 8045 CAMEO WHITE



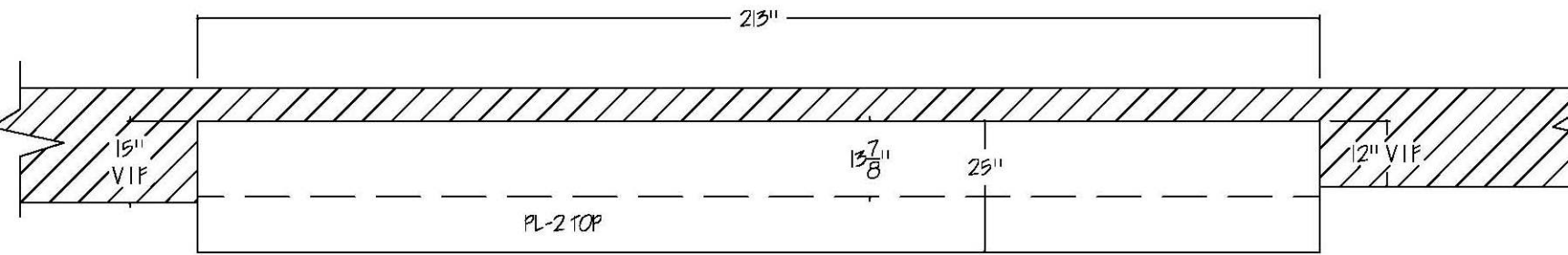
5
 3
 VERTICAL SECTION
 1 1/2" = 12"

PL-1 = PIONITE WM951 HONEY MAPLE
 PL-2 = NEVAMAR SH7001T FLAXEN SHIBORI
 SS-1 = CORIAN SAVANNAH
 CORIAN SINKS = 8045 CAMEO WHITE



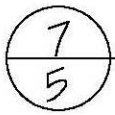
6 VERTICAL SECTION
4 1 1/2" = 12"

- PL-1 = PIONITE WM951 HONEY MAPLE
- PL-2 NEVAMAR SH7001T FLAXEN SHIBORI
- SS-1 = CORIAN SAVANNAH
- CORIAN SINKS = 8045 CAMEO WHITE



WORK

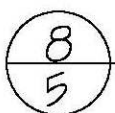
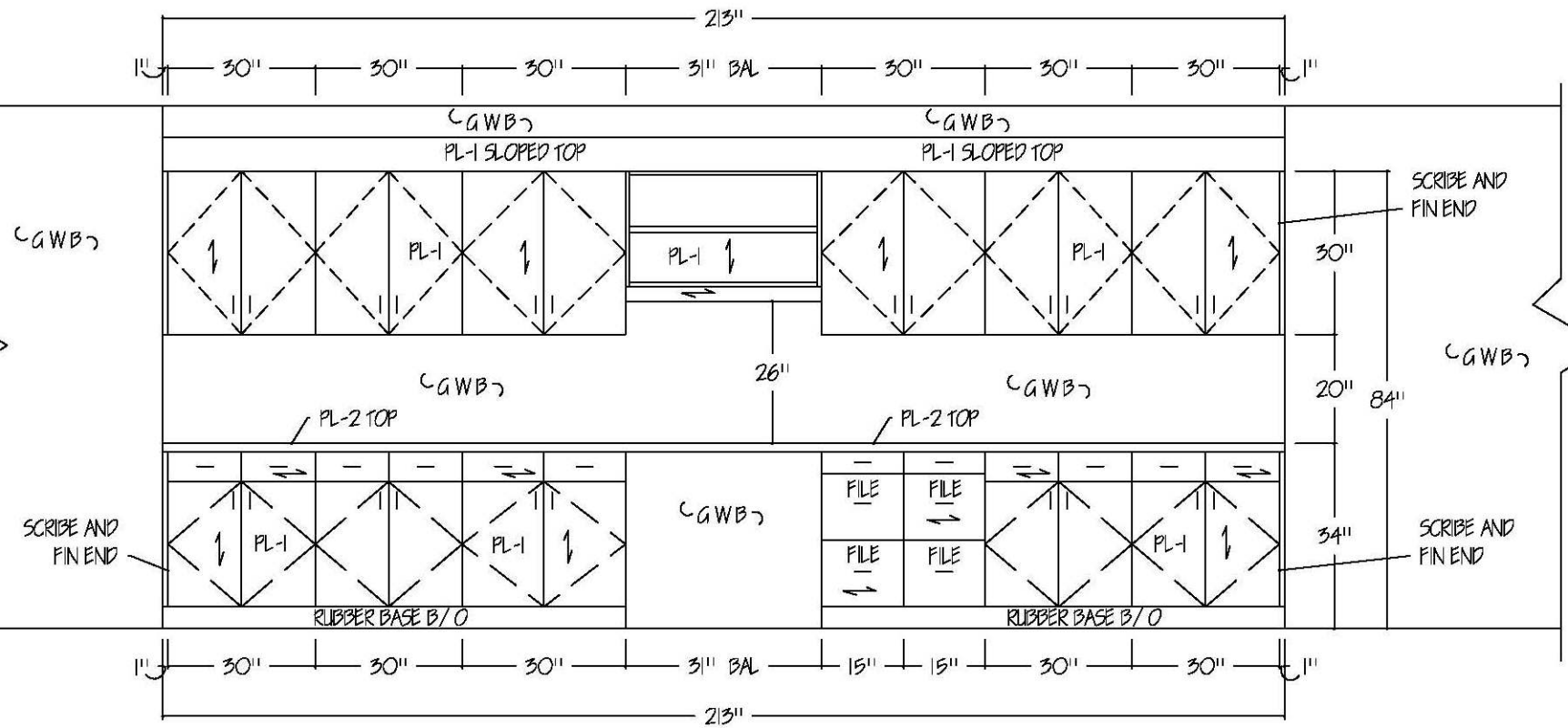
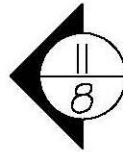
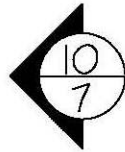
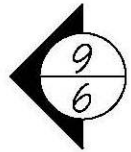
1N50E



PLAN VIEW

WORK IN 50E

3/8" = 1/2"

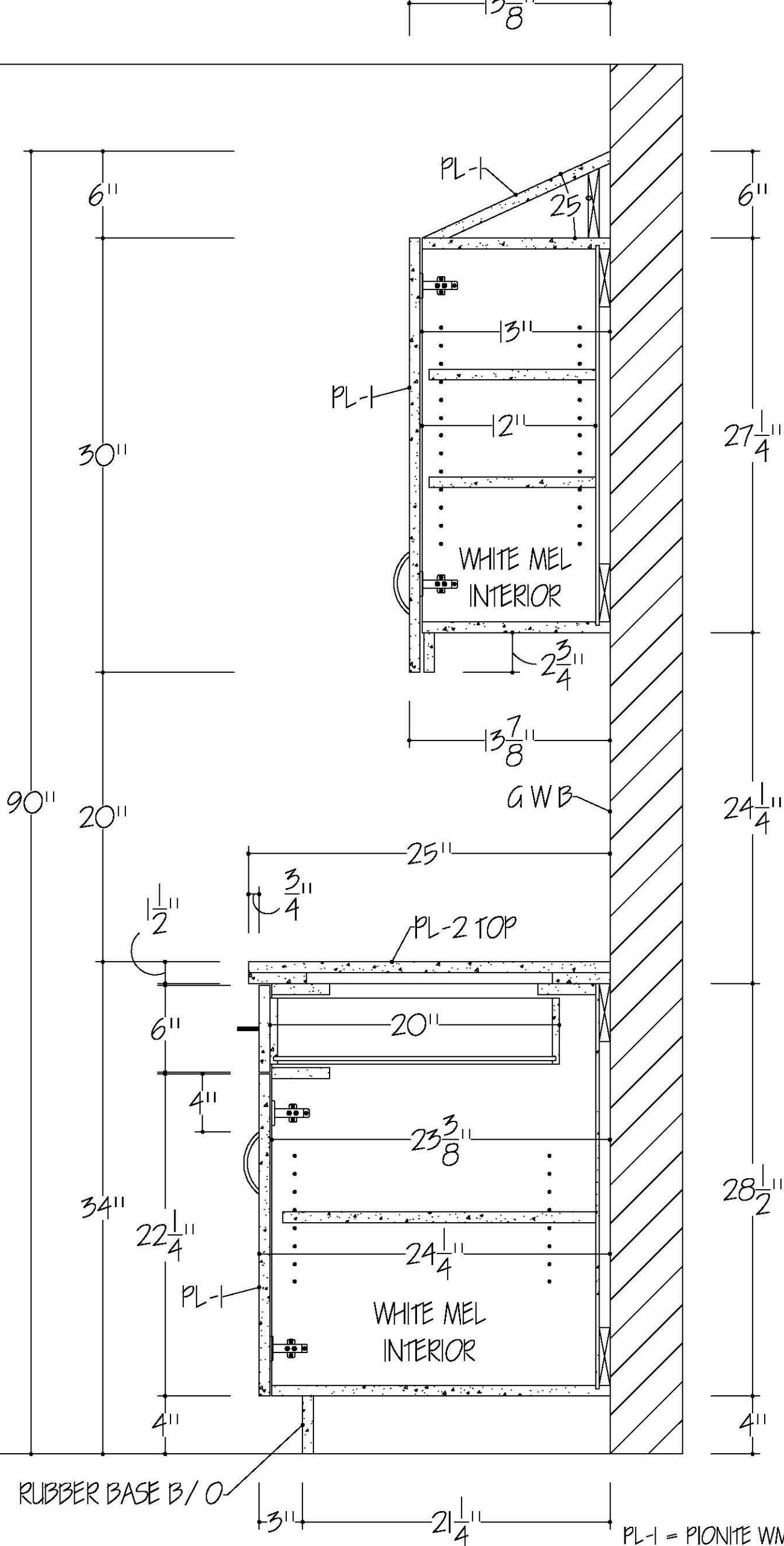


ELEVATION

WORK IN 50E

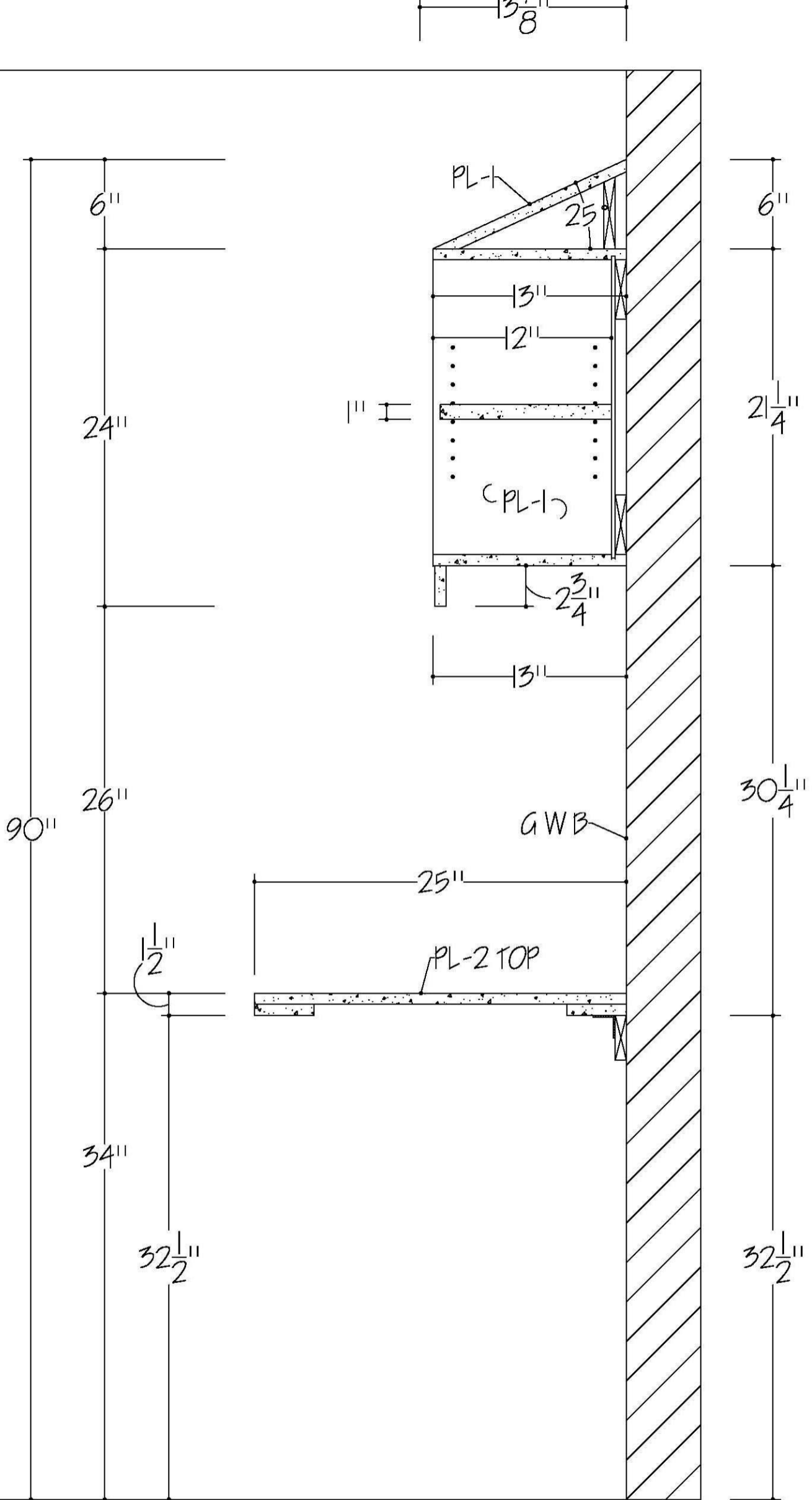
3/8" = 1/2"

PL-1 = PIONITE WM951 HONEY MAPLE
 PL-2 = NEVAMAR SH700IT FLAXEN SHIBOR
 SS-1 = CORIAN SAVANNAH
 CORIAN SINKS = 8045 CAMEO WHITE



9 VERTICAL SECTION
 6 1 1/2" = 12"

PL-1 = PIONITE WM951 HONEY MAPLE
 PL-2 NEVAMAR SH700IT FLAXEN SHIBO
 SS-1 = CORIAN SAVANNAH
 CORIAN SINKS = 8045 CAMEO WHITE

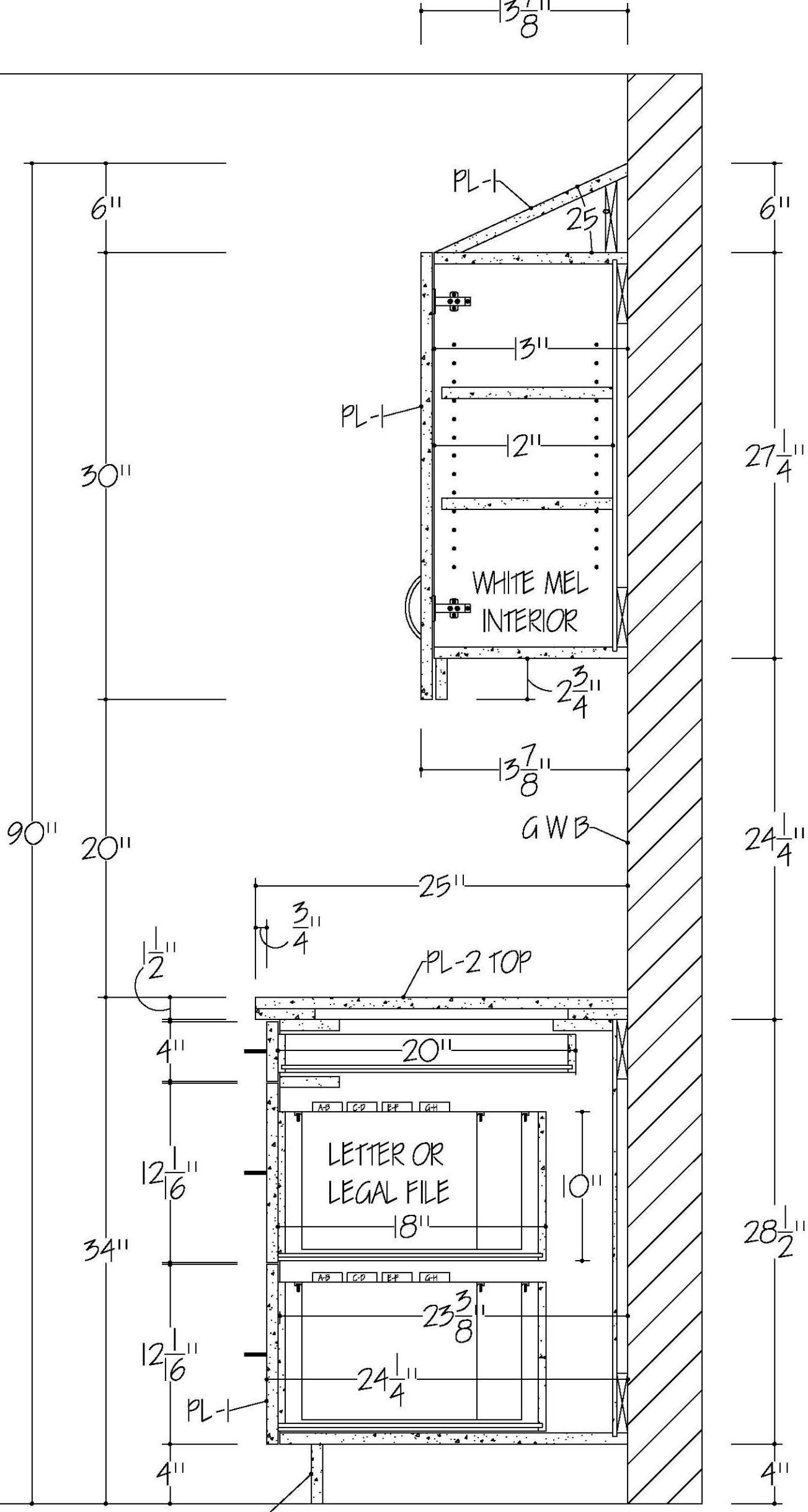


10
7

VERTICAL SECTION

1 1/2" = 12"

PL-1 = PIONITE WM951 HONEY MAPLE
 PL-2 NEVAMAR SH1700IT FLAXEN SHIBO
 SS-1 = CORIAN SAVANNAH
 CORIAN SINKS = 8045 CAMEO WHITE

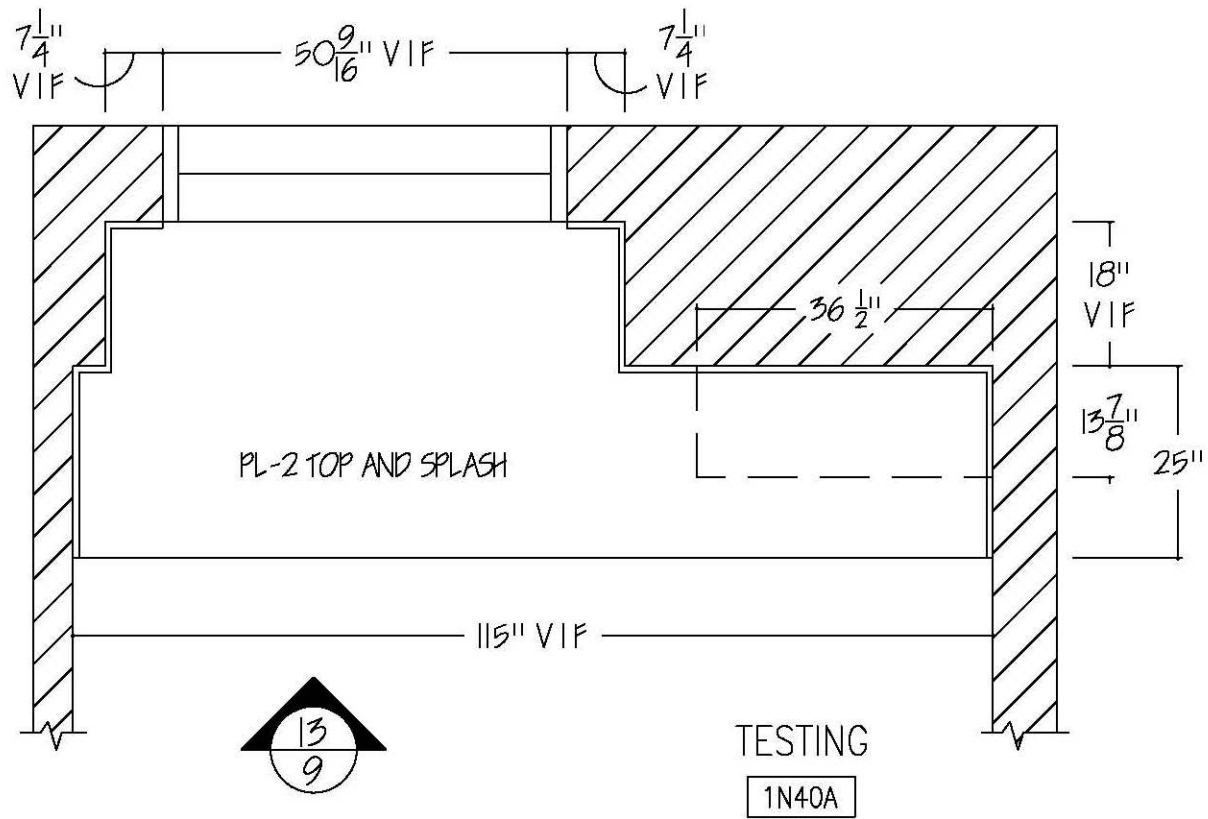


RUBBER BASE B/O

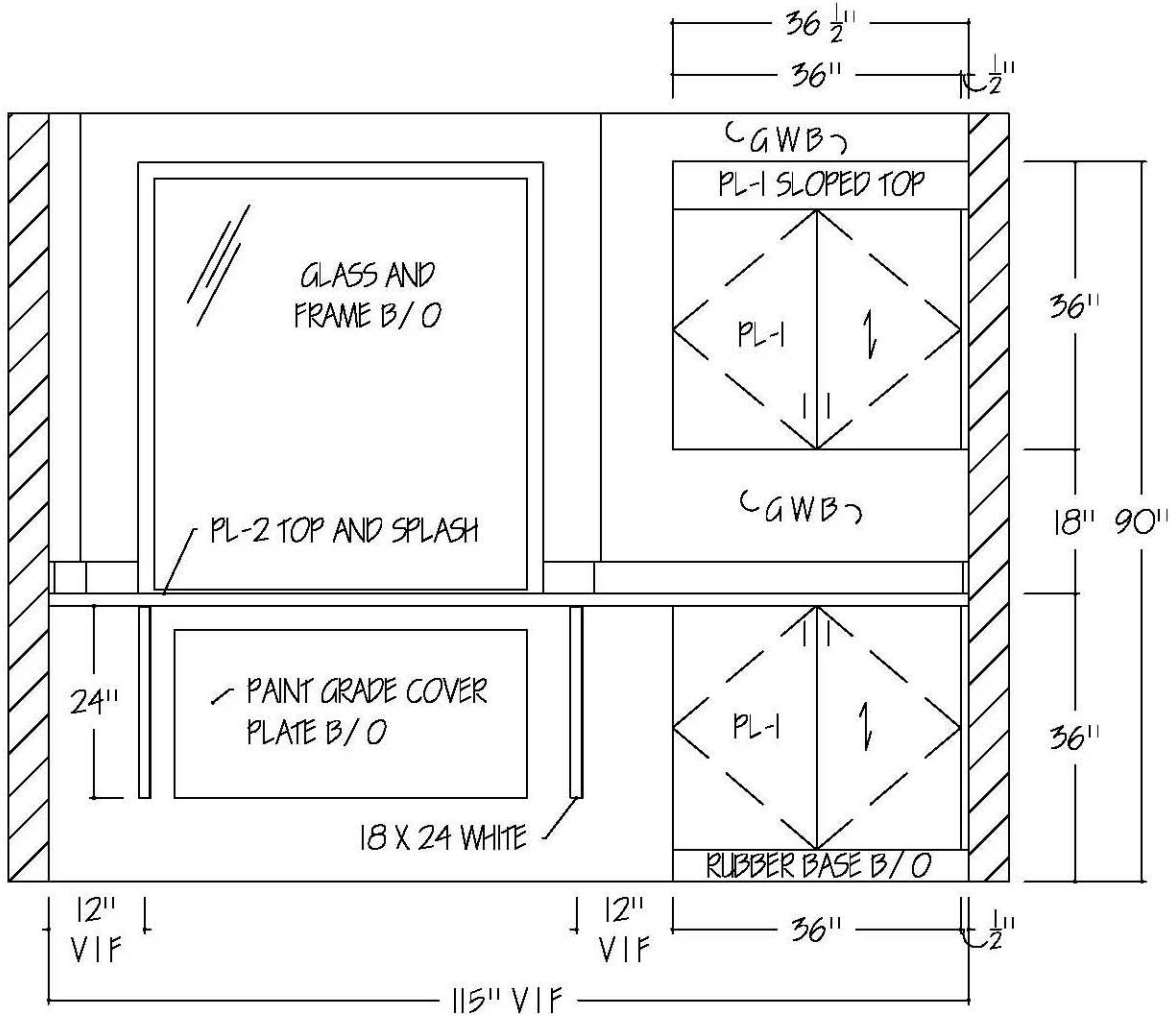
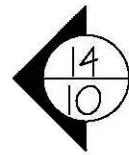
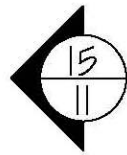
II
8

VERTICAL SECTION
11/2" = 12"

PL-1 = PIONITE WM951 HONEY MAPLE
 PL-2 NEVAMAR SH700IT FLAXEN SHIBO
 SS-1 = CORIAN SAVANNAH
 CORIAN SINKS = 8045 CAMEO WHITE

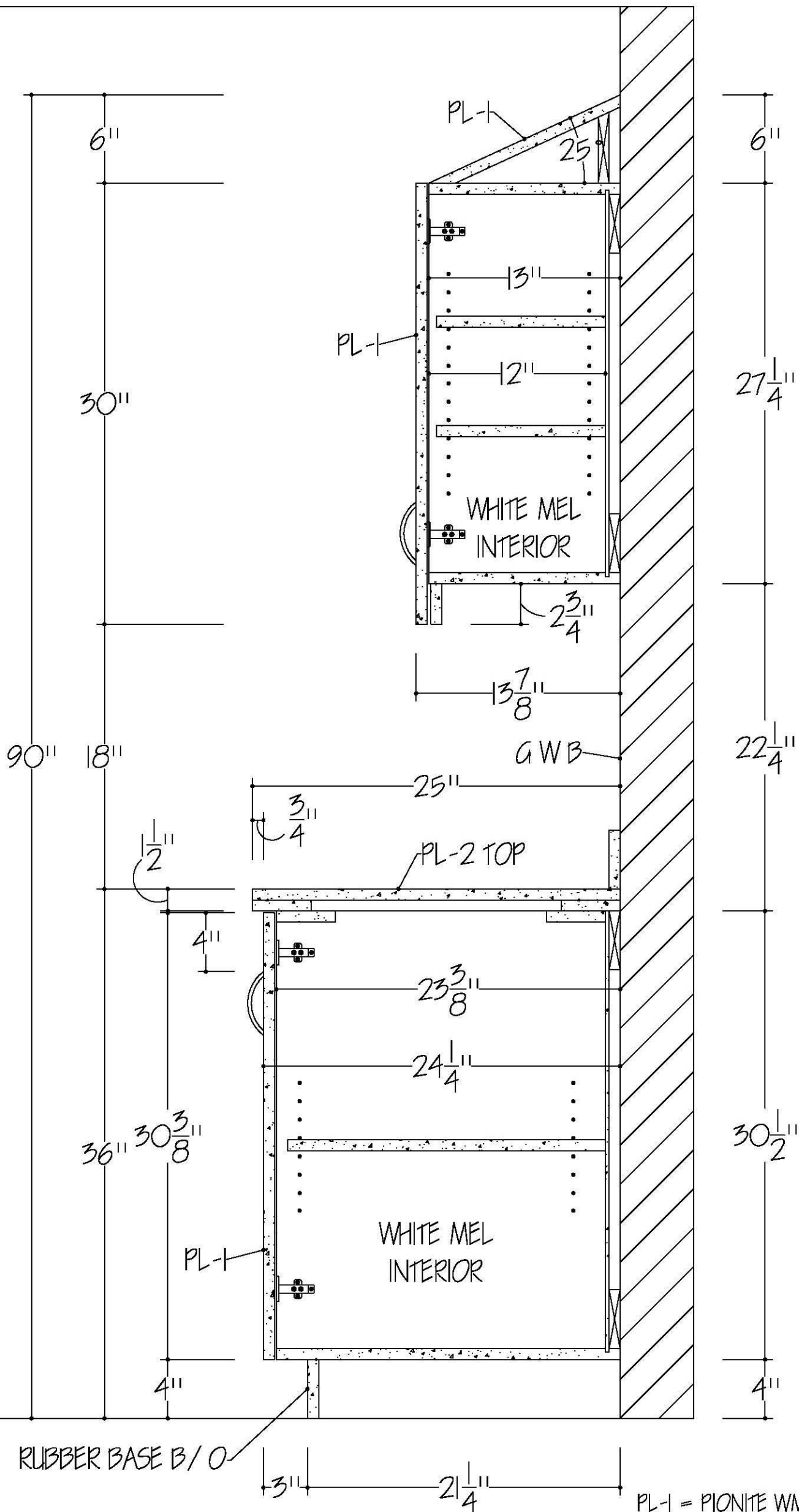


12/9 PLAN VIEW TESTING IN40A
1/2" = 12"



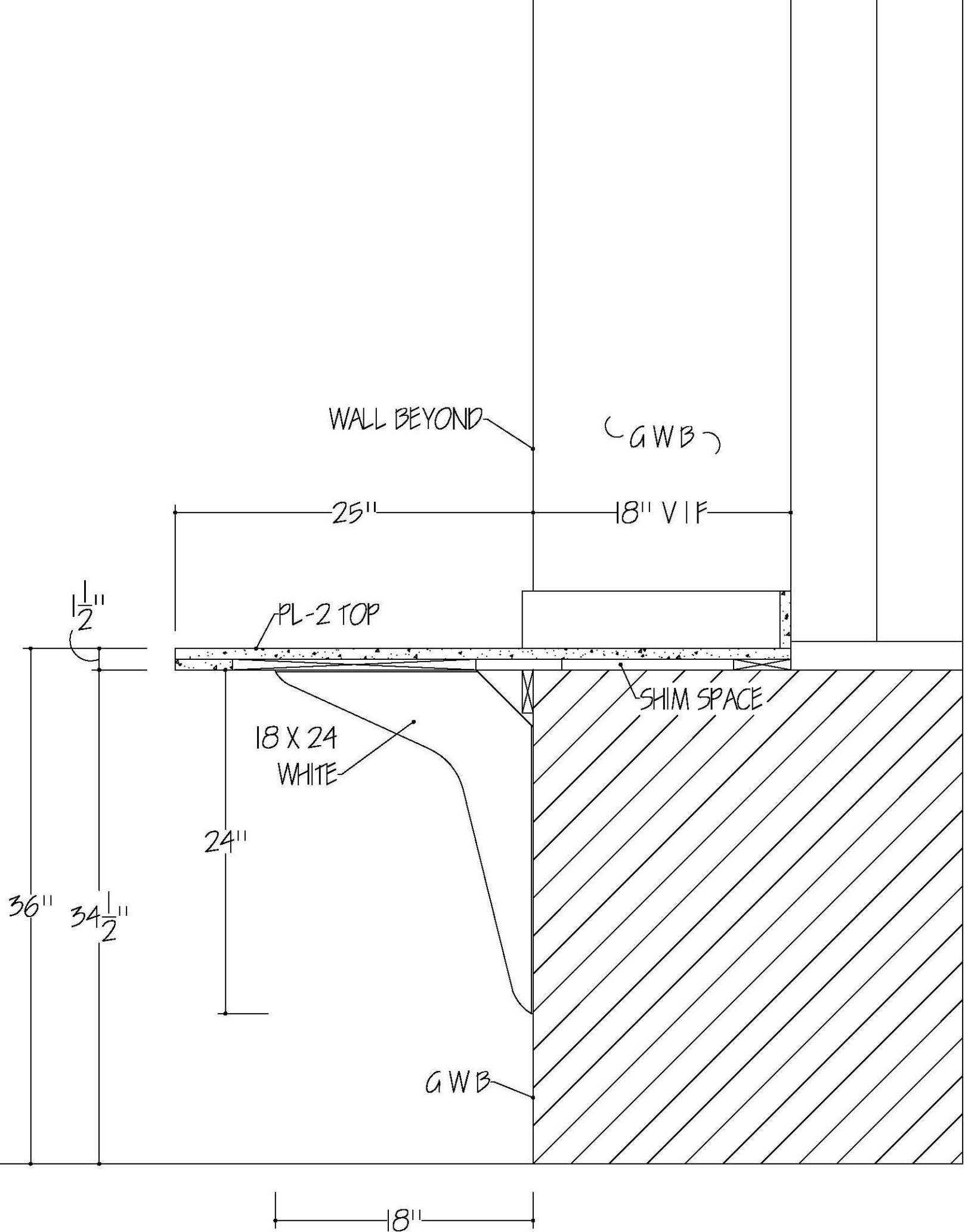
13/9 ELEVATION TESTING IN40A
1/2" = 12"

PL-1 = PIONITE WM951 HONEY MAPLE
 PL-2 = NEVAMAR SH700IT FLAXEN SHIBOR
 SS-1 = CORIAN SAVANNAH
 CORIAN SINKS = 8045 CAMEO WHITE



14 VERTICAL SECTION
 10 1 1/2" = 12"

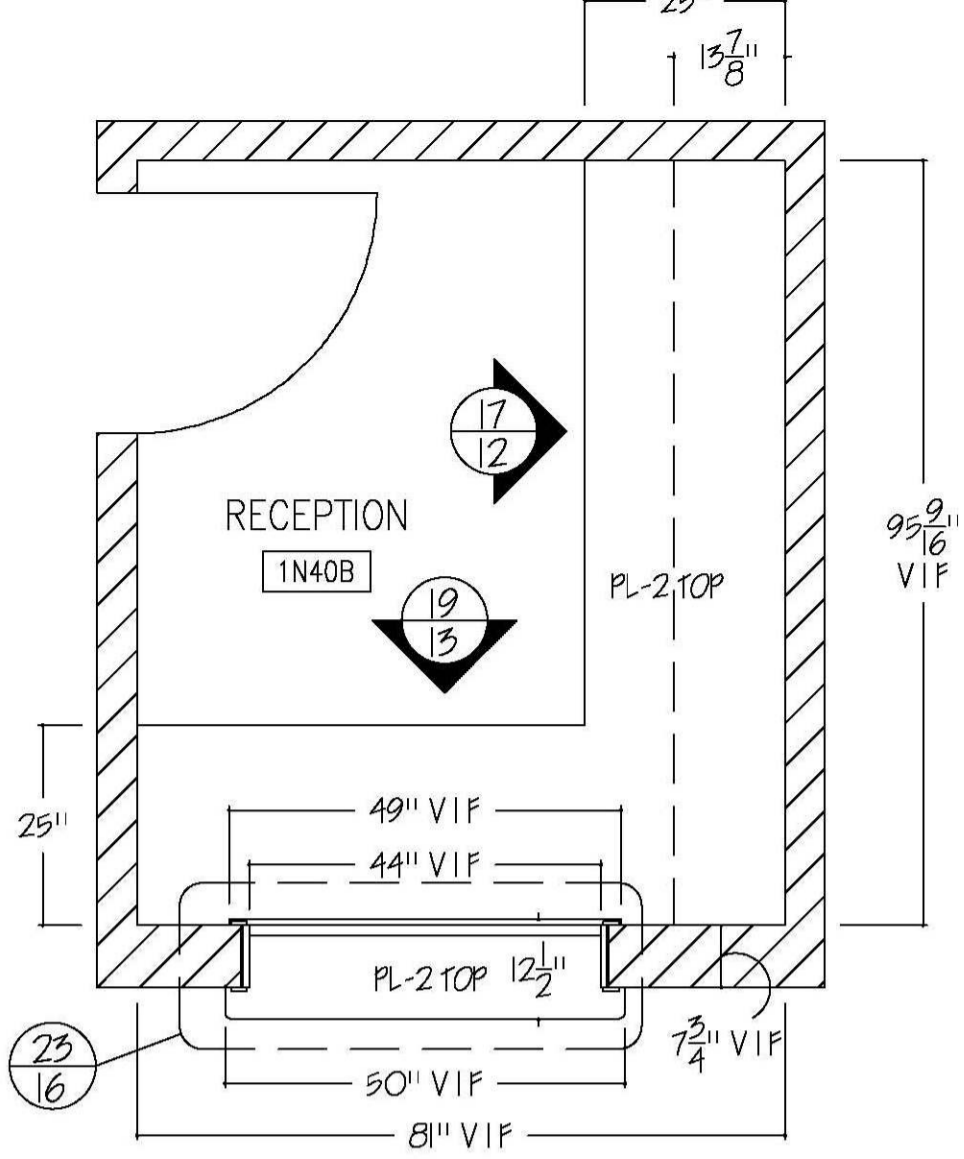
PL-1 = PIONITE WM951 HONEY MAPLE
 PL-2 NEVAMAR SH700IT FLAXEN SHIBORI
 SS-1 = CORIAN SAVANNAH
 CORIAN SINKS = 8045 CAMEO WHITE



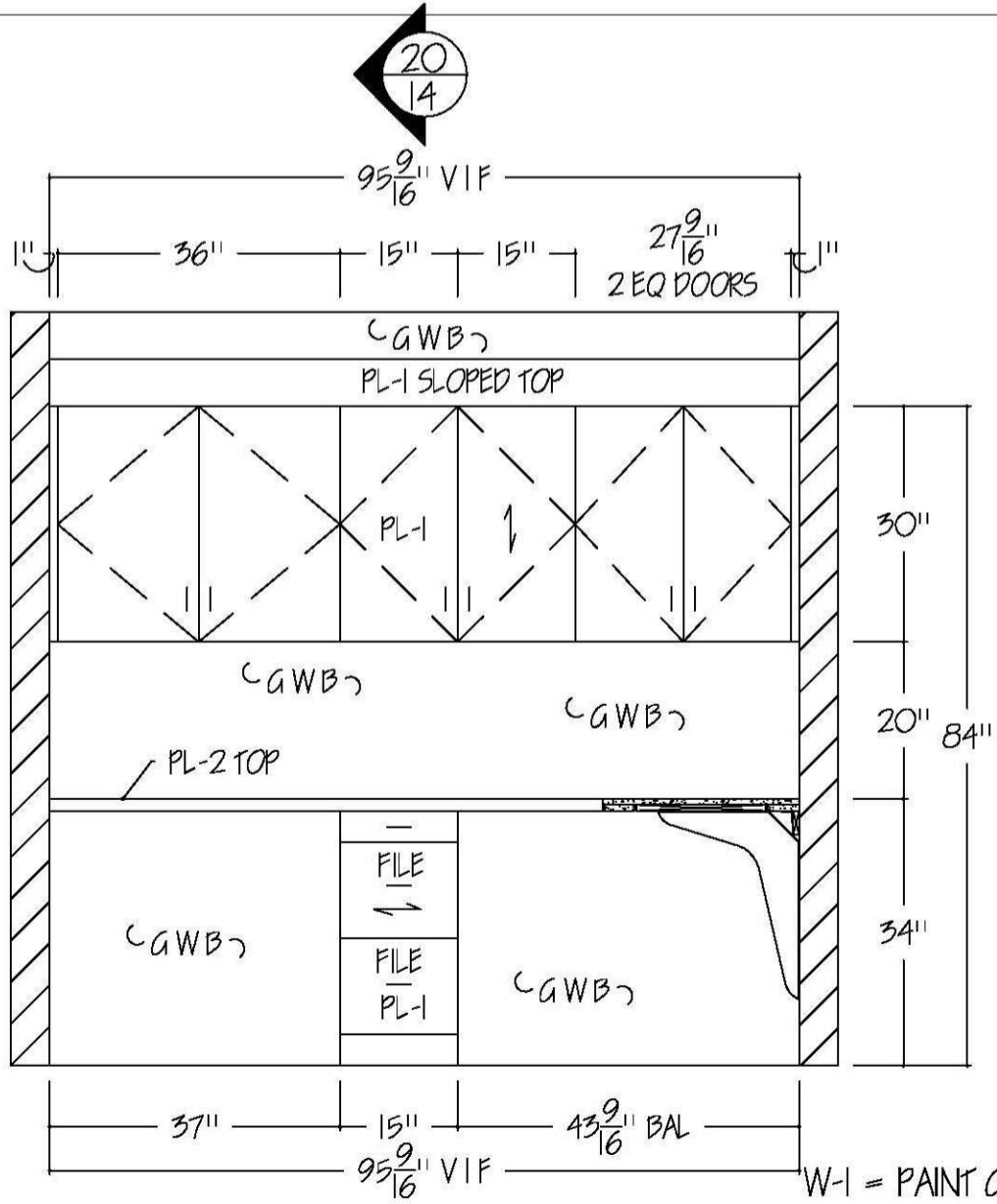
15
11

VERTICAL SECTION
1 1/2" = 12"

PL-1 = PIONITE WM951 HONEY MAPLE
 PL-2 NEVAMAR SH7001T FLAXEN SHIBORI
 SS-1 = CORIAN SAVANNAH
 CORIAN SINKS = 8045 CAMEO WHITE



16 PLAN VIEW REC IN40B
1/2" = 12"



17 ELEVATION REC IN40B
1/2" = 12"

- W-1 = PAINT GRADE POPLAR
- PL-1 = PIONITE WM951 HONEY MAPLE
- PL-2 NEVAMAR SH7001T FLAXEN SHIBOR
- SS-1 = CORIAN SAVANNAH
- CORIAN SINKS = 8045 CAMEO WHITE