

PROJECT

PROJECT

ADDRESS
CITY, STATE ZIP
PHONE
EMAIL

NOTES:

THIS IS AN EXAMPLE DEMONSTRATING BOTH MY USE OF SMT & SMA ALONG WITH EXCELLENT CONSIDERATION FOR SHOP FABRICATION.

I USED THE ASSUMPTION THAT THERE IS A FREIGHT ELEVATOR WITH A CABIN SIZE OF 10' X 10', ALLOWING FOR ALL FOUR WALLS TO BE SHOP FABRICATED FOR DELIVERY.

SIMPLE SPECS:

- PL-01: FORMICA LAMINATE .048 THICK
- SS-01: FORMICA SOLID SURFACE
- ML-01: SOLID ALUMINUM EXTRUSION RADIUS FRONT
- HDW-01: CUSTOM FABRICATED IN-WALL BRACKET
- HDW-02: CUSTOM FABRICATED IN-WALL BRACKET ADA
- HDW-03: BUTTON FIX TYPE 2

I ALSO ADDED ON D I A SECTION FOR WALL TWO SHOWING BOTH STUD SYSTEMS.

ONLY ADDED THE IN-WALL BRACKETS AND BUTTON FIX TO WALL ONE, JUST TO SHOW INTENT.

I DID NOT PROCESS THE S.S., S.S. SUBSTRATE, LAMINATE, OR SOLID STOCK CORNER BLOCKING FOR THIS EXAMPLE.

ARCHITECT

ARCHITECT

ARCHITECT ADDRESS
ARCHITECT CITY STATE
ARCHITECT PHONE
ARCHITECT EMAIL

GENERAL CONTRACTOR

GENERAL CONTRACTOR

GC ADDRESS
GC CITY STATE
GC PHONE
GC EMAIL

ARCHITECT STAMP

GC STAMP

MILLWORK
DRAFTING & ENGINEERING
SERVICE

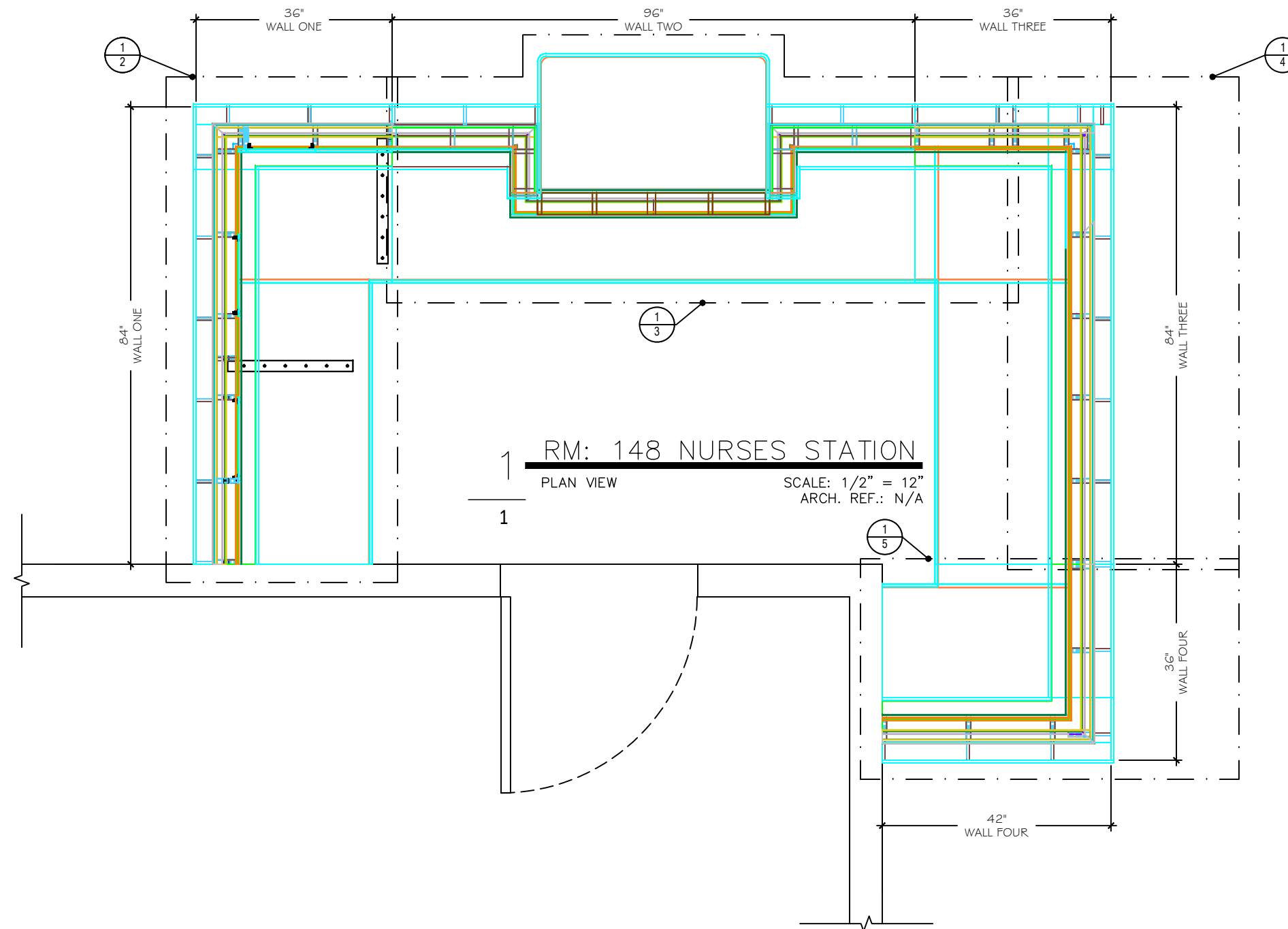
PROJECT:

PROJECT NAME

PROJECT ADDRESS
CITY, STATE ZIP
PROJECT PHONE
PROJECT EMAIL

ITEM	MATERIAL
Base Exterior	TBD
Tall Exterior	TBD
Upper Exterior	TBD
Interior	TBD
Handle	TBD
Drawer System	DRAWER SYSTEM

REVISION	DATE
REVISION	DATE
REVISION	SHEET
DRAWN BY	COVER



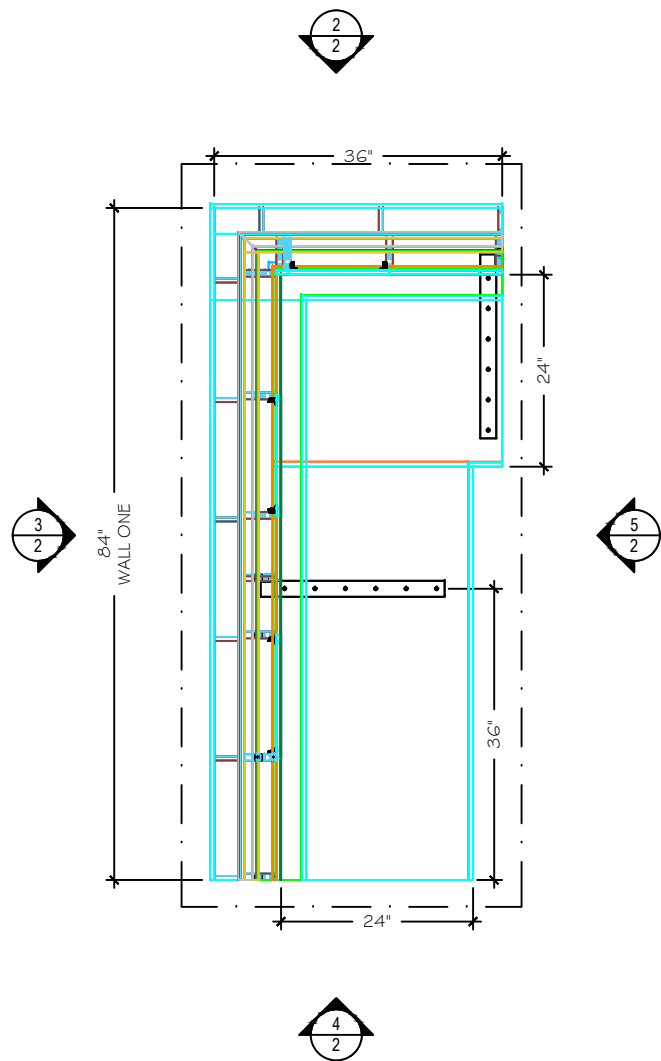
MILLWORK
DRAFTING & ENGINEERING
SERVICE

- ASI
- HW-1
- PL-1
- NOTE

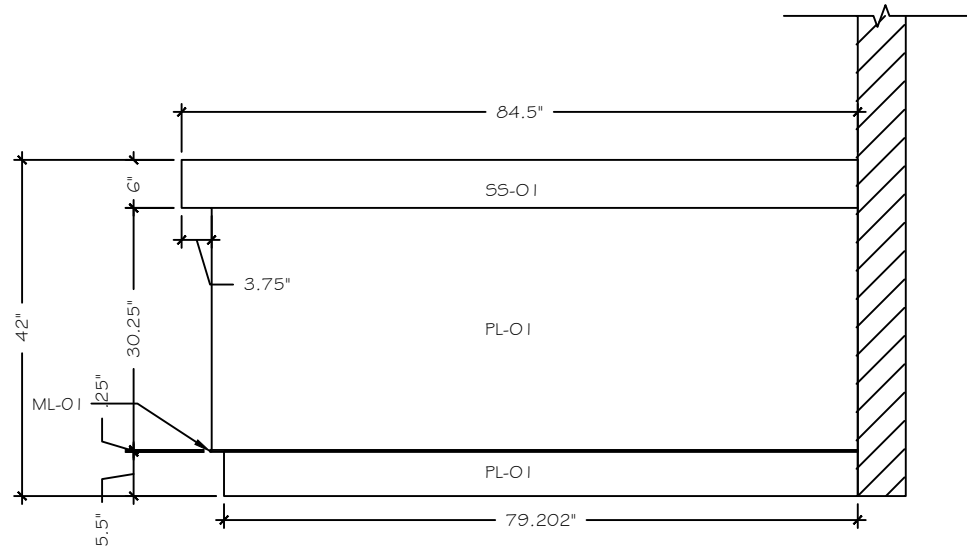
PROJECT: **PROJECT NAME**
PROJECT ADDRESS
CITY, STATE ZIP
PROJECT PHONE
PROJECT EMAIL

ITEM	MATERIAL
Base Exterior	TBD
Tall Exterior	TBD
Upper Exterior	TBD
Interior	TBD
Handle	TBD
Drawer System	DRAWER SYSTEM

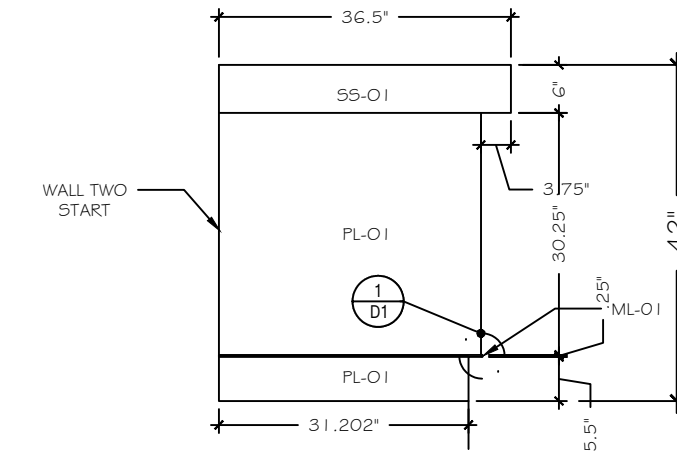
REVISION	DATE
REVISION	DATE
REVISION	SHEET
DRAWN BY	1.00



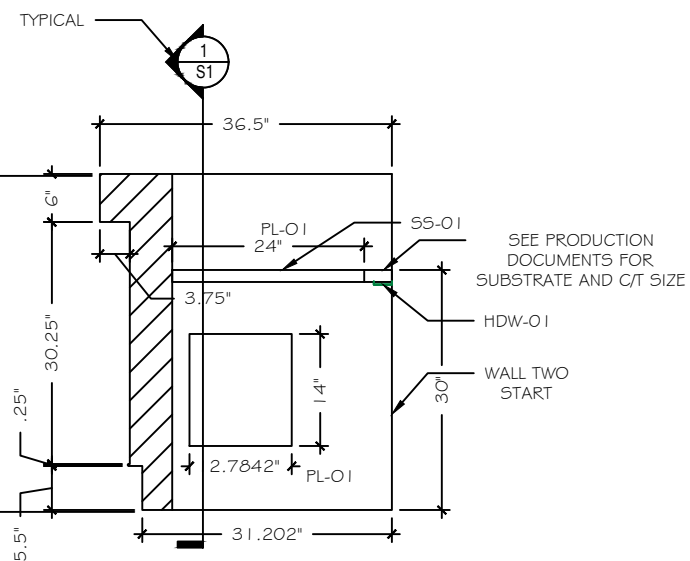
1 **RM: 148 NURSES STATION**
 PLAN VIEW SCALE: 3/4" = 12"
 ARCH. REF.: N/A



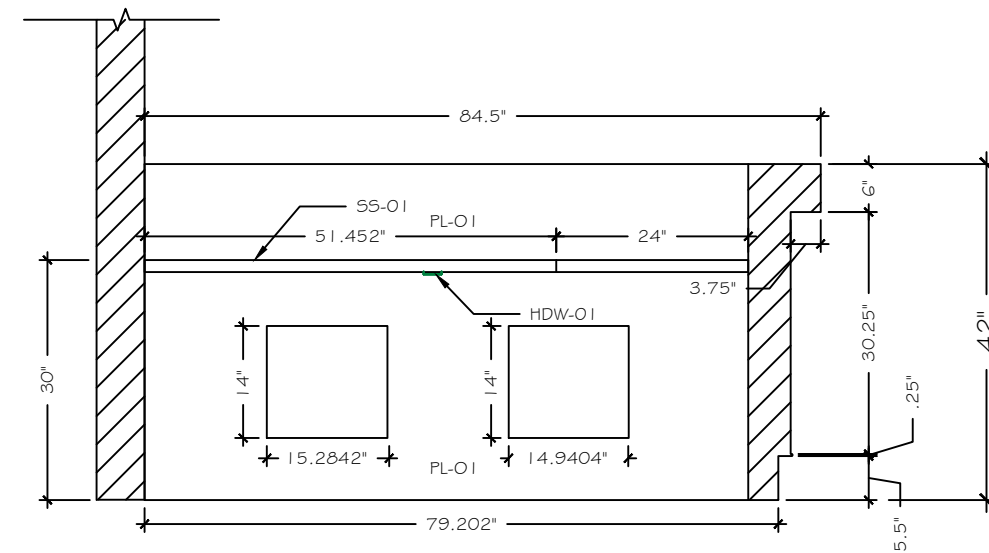
3 **RM: 148 NURSES STATION**
 ELEVATION VIEW SCALE: 3/4" = 12"
 ARCH. REF.: N/A



2 **RM: 148 NURSES STATION**
 ELEVATION VIEW SCALE: 3/4" = 12"
 ARCH. REF.: N/A



4 **RM: 148 NURSES STATION**
 ELEVATION VIEW SCALE: 3/4" = 12"
 ARCH. REF.: N/A



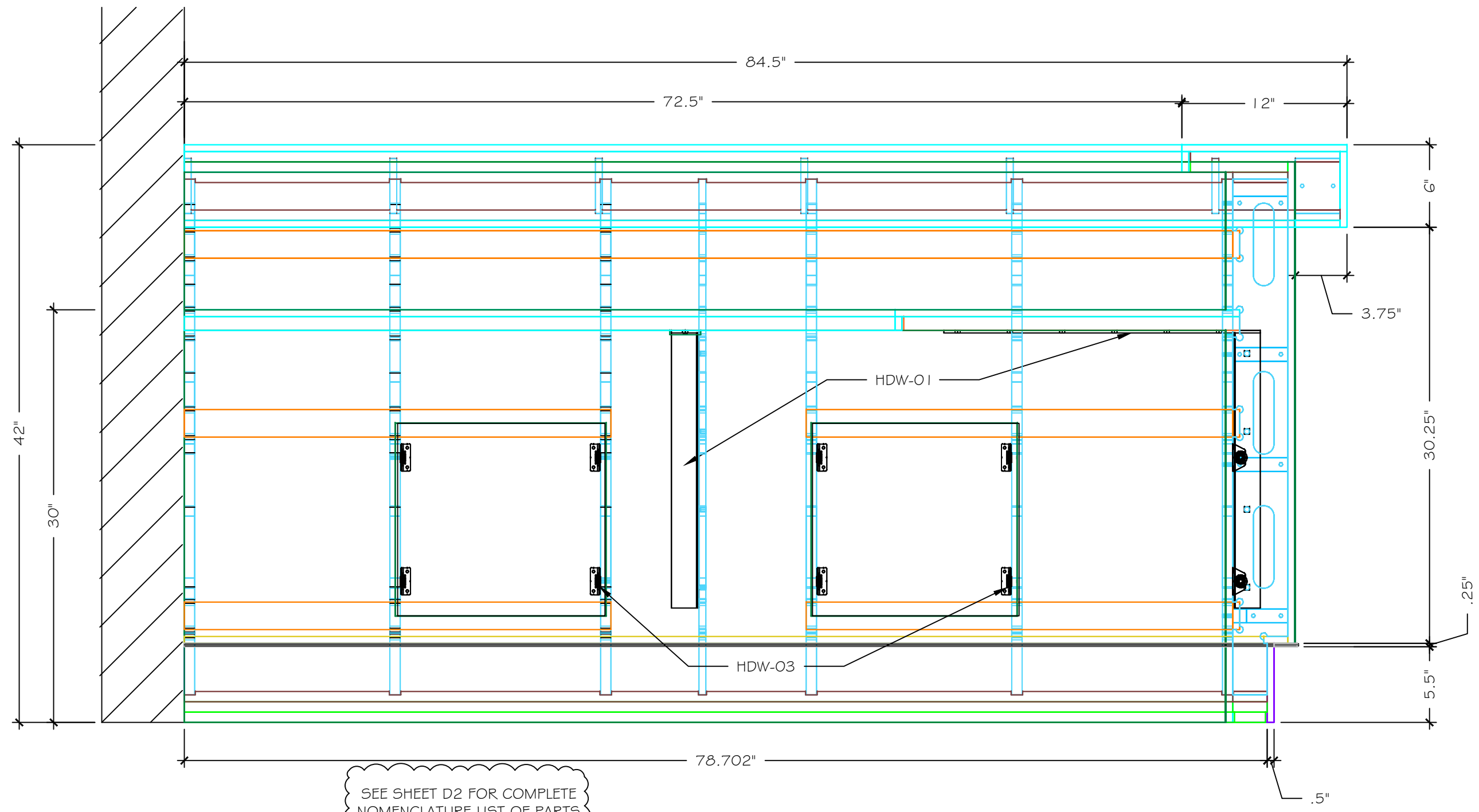
5 **RM: 148 NURSES STATION**
 ELEVATION VIEW SCALE: 3/4" = 12"
 ARCH. REF.: N/A

MILLWORK DRAFTING & ENGINEERING SERVICE

PROJECT: **PROJECT NAME**
 PROJECT ADDRESS
 CITY, STATE ZIP
 PROJECT PHONE
 PROJECT EMAIL

ITEM	MATERIAL
Base Exterior	TBD
Tall Exterior	TBD
Upper Exterior	TBD
Interior	TBD
Handle	TBD
Drawer System	DRAWER SYSTEM

REVISION	DATE
REVISION	DATE
REVISION	SHEET
DRAWN BY	2.00



SEE SHEET D2 FOR COMPLETE NOMENCLATURE LIST OF PARTS

1
D1

RM: 148 NURSES STATION

SECTION

SCALE: 1-1/2" = 12"
ARCH. REF.: N/A

MILLWORK
DRAFTING & ENGINEERING
SERVICE

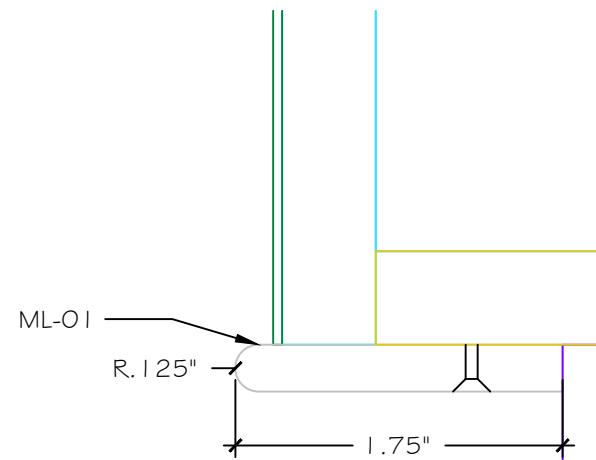
PROJECT:

PROJECT NAME

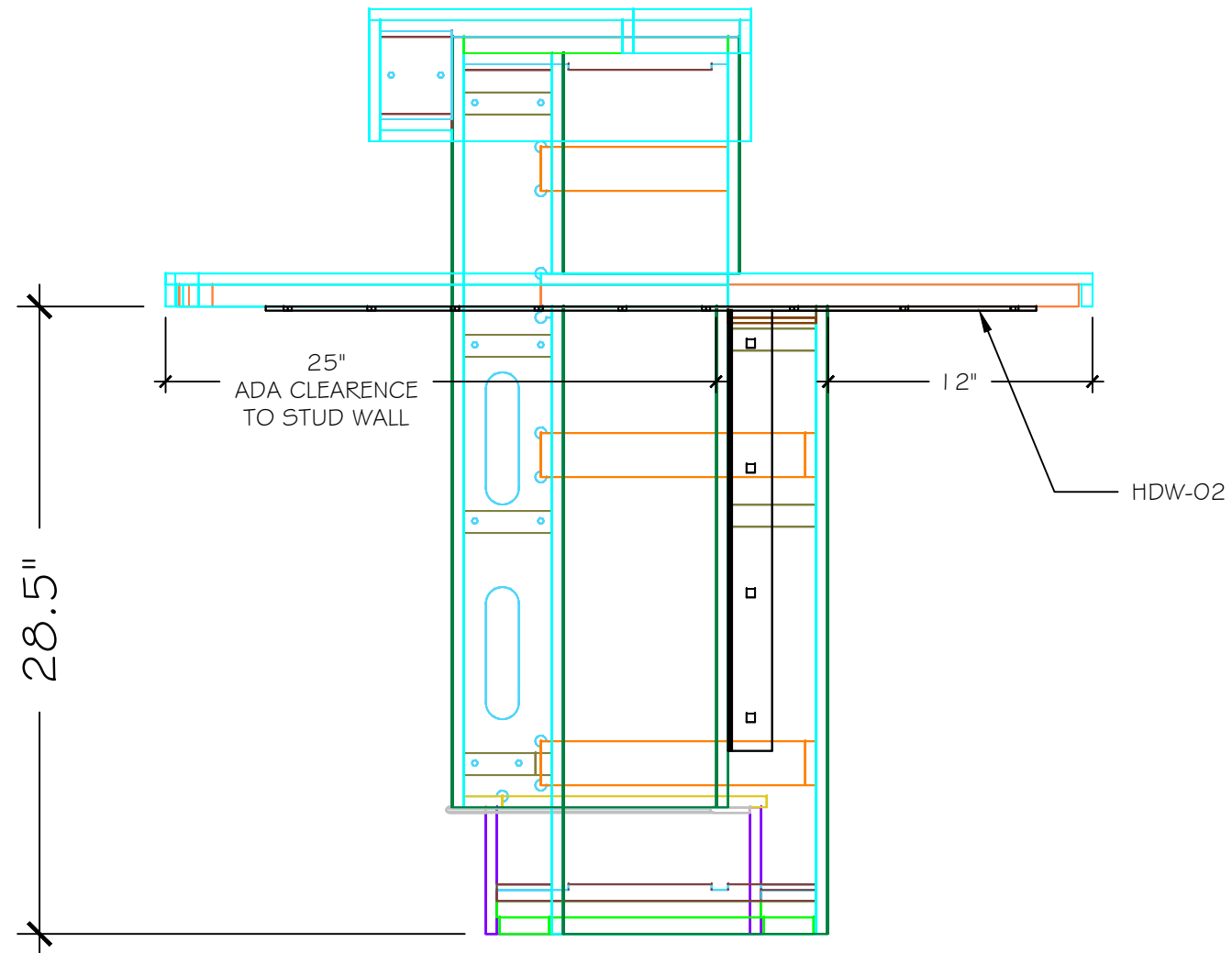
PROJECT ADDRESS
CITY, STATE ZIP
PROJECT PHONE
PROJECT EMAIL

ITEM	MATERIAL
Base Exterior	TBD
Tall Exterior	TBD
Upper Exterior	TBD
Interior	TBD
Handle	TBD
Drawer System	DRAWER SYSTEM

REVISION	DATE
REVISION	DATE
REVISION	SHEET
DRAWN BY	SI



1 **RM: 148 NURSES STATION**
 DETAIL SCALE: 1'-0" = 12"
 ARCH. REF.: N/A
 D1



2 **RM: 148 NURSES STATION**
 SECTION @ ADA WALL TWO SCALE: 1-1/2" = 12"
 ARCH. REF.: N/A
 D1

**MILLWORK
 DRAFTING & ENGINEERING
 SERVICE**

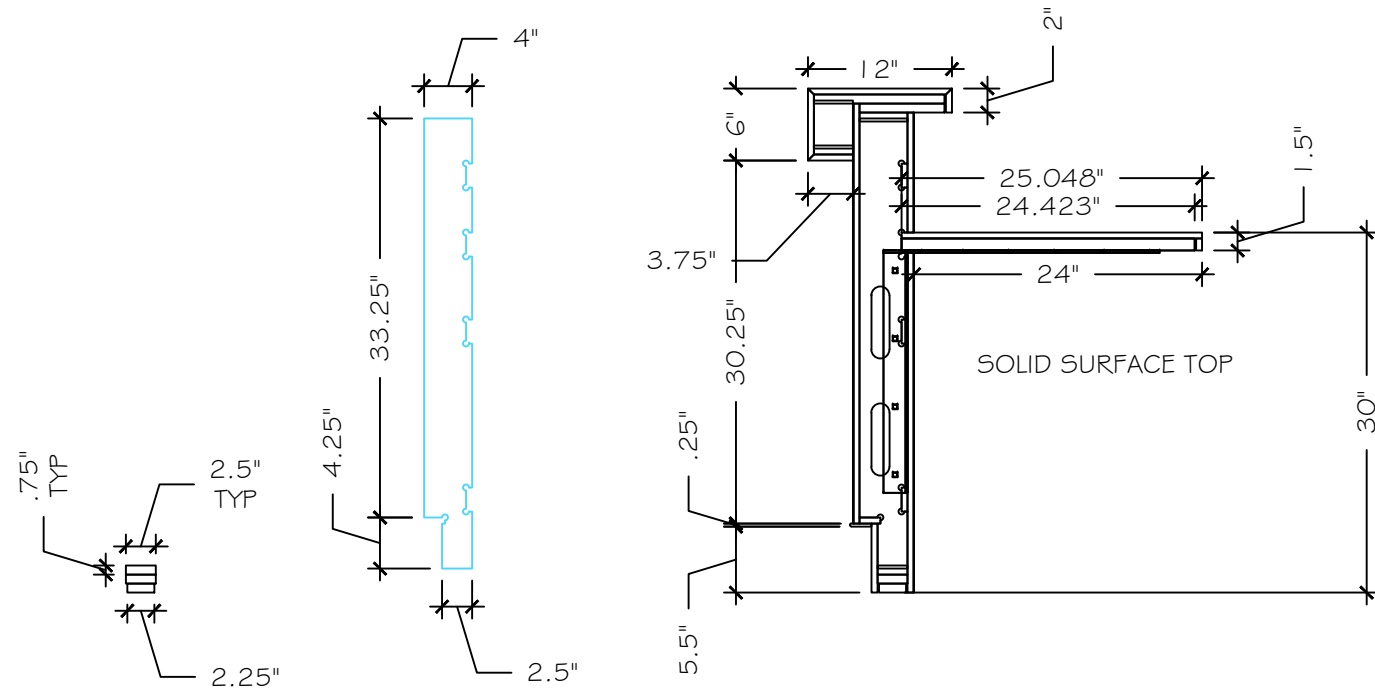
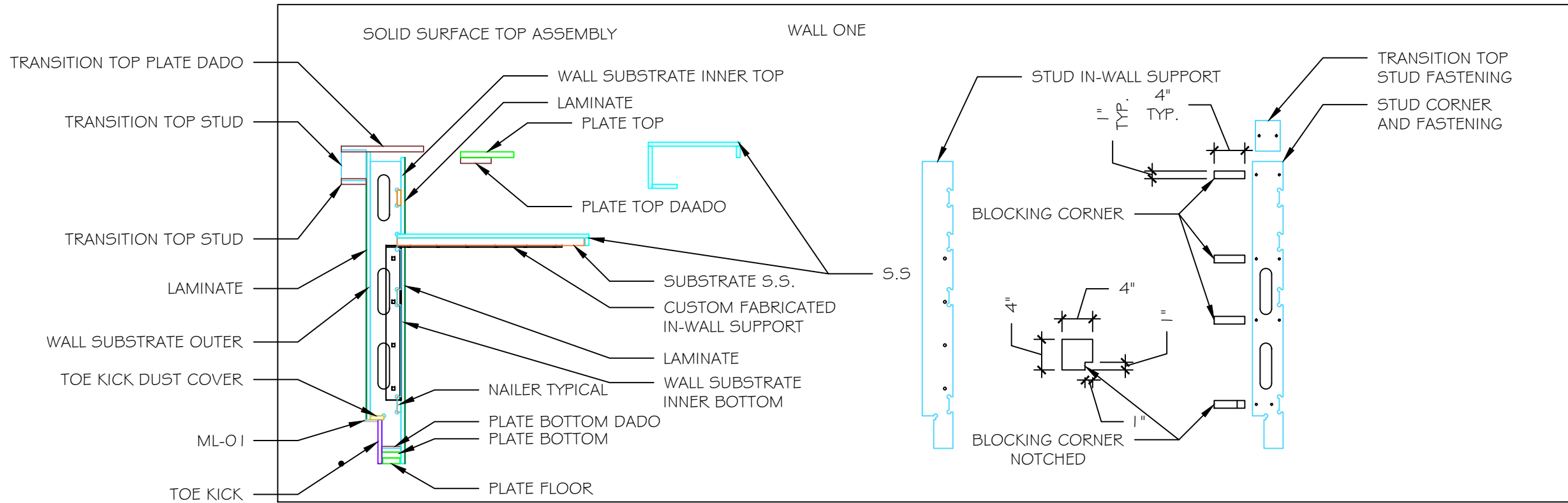
PROJECT:

PROJECT NAME

PROJECT ADDRESS
 CITY, STATE ZIP
 PROJECT PHONE
 PROJECT EMAIL

ITEM	MATERIAL
Base Exterior	TBD
Tall Exterior	TBD
Upper Exterior	TBD
Interior	TBD
Handle	TBD
Drawer System	DRAWER SYSTEM

REVISION	DATE
DRAWN BY	D1



- ASI
- HW-1
- PL-1
- NOTE

MILLWORK
DRAFTING & ENGINEERING
SERVICE

PROJECT:
PROJECT NAME
PROJECT ADDRESS
CITY, STATE ZIP
PROJECT PHONE
PROJECT EMAIL

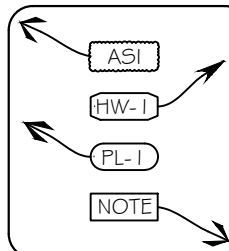
ITEM	MATERIAL
Base Exterior	TBD
Tall Exterior	TBD
Upper Exterior	TBD
Interior	TBD
Handle	TBD
Drawer System	DRAWER_SYSTEM

REVISION	DATE
REVISION	SHEET
REVISION	
DRAWN BY	

DATE
D2

Color	Name	Material	Spacing
	STUD Wipeout	Plywood 0.75in	16
	STUD	Plywood 0.75in	12
	STUD ADA	Plywood 0.75in	16
	STUD ADA FASTENING	Plywood 0.75in	16
	STUD CORNER & FASTENING	Plywood 0.75in	16
	STUD END CAP	Plywood 0.75in	16
	STUD IN-WALL SUPPORT	Plywood 0.75in	16
	TRANSITION TOP STUD	Plywood 0.5in	16
	TRANSITION TOP STUD FASTENING	Plywood 0.5in	16

Color	Name	Material
	ALUMINUM ACCENT	Solid Aluminum .25
	ALUMINUM ACCENT	Solid Aluminum .25
	BLOCKING CORNER	1 Hardwood
	BLOCKING CORNER NOTCHED	1 Hardwood
	BLOCKING CORNER RADIUS	1 Hardwood
	CTOP SUBSTRATE LAMINATE	MDF 0.625
	CTOP SUBSTRATE SOILD SURFACE	MDF 1in
	LAMINATE	Decorative Laminate .048
	LEG PLATE BOTTOM	MDF 0.5in
	LEG PLATE TOP	MDF 0.5in
	LEG VERTACLES	MDF 0.5in
	NAILER	Plywood 0.5in
	PLATE BOTTOM	Plywood 0.75in
	PLATE BOTTOM DADO	Plywood 0.75in
	PLATE BOTTOM FLOOR	Plywood 0.75in
	PLATE TOP	Plywood 0.75in
	PLATE TOP DADO	Plywood 0.75in
	SOLID SURFACE	Solid Surface .5
	SOLID SURFACE	Solid Surface .5
	SUBSTRATE LAMINATE	MDF 0.5in
	TOE KICK	MDF 0.5in
	TOE KICK DUST COVER	MDF 0.5in
	TRANSITION TOP PLATE	MDF 1in
	TRANSITION TOP PLATE DADO	MDF 0.75in
	TRANSITION TOP PLATE DADO NARROW	MDF 0.75in
	WALL SUBSTRATE INNER BOTTOM	MDF 0.5in
	WALL SUBSTRATE INNER TOP	MDF 0.5in
	WALL SUBSTRATE OUTER	MDF 0.5in



MILLWORK
DRAFTING & ENGINEERING
SERVICE

PROJECT:
PROJECT NAME
PROJECT ADDRESS
CITY, STATE ZIP
PROJECT PHONE
PROJECT EMAIL

ITEM	MATERIAL
Base Exterior	TBD
Tall Exterior	TBD
Upper Exterior	TBD
Interior	TBD
Handle	TBD
Drawer System	DRAWER SYSTEM

REVISION	DATE
REVISION	DATE
REVISION	SHEET
REVISION	SM LAYERS
DRAWN BY	

Project Name	Room Name	Item Number	Part Name	Quantity	Width	Length	Material Name	EE W
DIE WALL 1	DIE WALL 1	1.01	WALL SUBSTRATE OUTER	1	35	80.202	MDF 0.5in	
DIE WALL 1	DIE WALL 1	1.01	WALL SUBSTRATE OUTER	1	32.702	35	MDF 0.5in	
DIE WALL 1	DIE WALL 1	1.01	WALL SUBSTRATE INNER TOP	1	10	75.702	MDF 0.5in	
DIE WALL 1	DIE WALL 1	1.01	WALL SUBSTRATE INNER TOP	1	10	28.202	MDF 0.5in	
DIE WALL 1	DIE WALL 1	1.01	WALL SUBSTRATE INNER BOTTOM	1	28.202	28.5	MDF 0.5in	
DIE WALL 1	DIE WALL 1	1.01	WALL SUBSTRATE INNER BOTTOM	1	28.5	75.702	MDF 0.5in	
DIE WALL 1	DIE WALL 1	1.01	WALL SUBSTRATE INNER BOTTOM	1	14	14.9404	MDF 0.5in	
DIE WALL 1	DIE WALL 1	1.01	WALL SUBSTRATE INNER BOTTOM	1	12.69475	14	MDF 0.5in	
DIE WALL 1	DIE WALL 1	1.01	WALL SUBSTRATE INNER BOTTOM	1	14	15.3154	MDF 0.5in	
DIE WALL 1	DIE WALL 1	1.01	TRANSITION TOP STUD FASTENING	1	3.25	4	Plywood 0.5in	
DIE WALL 1	DIE WALL 1	1.01	TRANSITION TOP STUD	1	3.25	4	Plywood 0.5in	
DIE WALL 1	DIE WALL 1	1.01	TRANSITION TOP STUD	1	3.25	4	Plywood 0.5in	
DIE WALL 1	DIE WALL 1	1.01	TRANSITION TOP STUD	1	3.25	4	Plywood 0.5in	
DIE WALL 1	DIE WALL 1	1.01	TRANSITION TOP STUD	1	3.25	4	Plywood 0.5in	
DIE WALL 1	DIE WALL 1	1.01	TRANSITION TOP STUD	1	3.25	4	Plywood 0.5in	
DIE WALL 1	DIE WALL 1	1.01	TRANSITION TOP STUD	1	3.25	4	Plywood 0.5in	
DIE WALL 1	DIE WALL 1	1.01	TRANSITION TOP STUD	1	3.25	4	Plywood 0.5in	
DIE WALL 1	DIE WALL 1	1.01	TRANSITION TOP STUD	1	3.25	4	Plywood 0.5in	
DIE WALL 1	DIE WALL 1	1.01	TRANSITION TOP PLATE DADO NARROW	1	36	84	MDF 0.75in	
DIE WALL 1	DIE WALL 1	1.01	TRANSITION TOP PLATE DADO	1	35.9995	83.9995	MDF 0.75in	
DIE WALL 1	DIE WALL 1	1.01	TOE KICK DUST COVER	1	1.75	32.202	MDF 0.5in	
DIE WALL 1	DIE WALL 1	1.01	TOE KICK DUST COVER	1	1.75	78.452	MDF 0.5in	
DIE WALL 1	DIE WALL 1	1.01	TOE KICK	1	5.75	31.201997	MDF 0.5in	
DIE WALL 1	DIE WALL 1	1.01	TOE KICK	1	5.75	79.201997	MDF 0.5in	
DIE WALL 1	DIE WALL 1	1.01	STUD IN-WALL SUPPORT	1	4	37.5	Plywood 0.75in	
DIE WALL 1	DIE WALL 1	1.01	STUD CORNER & FASTENING	1	4	37.5	Plywood 0.75in	
DIE WALL 1	DIE WALL 1	1.01	STUD CORNER & FASTENING	1	4	37.5	Plywood 0.75in	
DIE WALL 1	DIE WALL 1	1.01	STUD CORNER & FASTENING	1	4	37.5	Plywood 0.75in	
DIE WALL 1	DIE WALL 1	1.01	STUD	1	4	37.5	Plywood 0.75in	
DIE WALL 1	DIE WALL 1	1.01	STUD	1	4	37.5	Plywood 0.75in	
DIE WALL 1	DIE WALL 1	1.01	STUD	1	4	37.5	Plywood 0.75in	
DIE WALL 1	DIE WALL 1	1.01	STUD	1	4	37.5	Plywood 0.75in	
DIE WALL 1	DIE WALL 1	1.01	STUD	1	4	37.5	Plywood 0.75in	
DIE WALL 1	DIE WALL 1	1.01	STUD	1	4	37.5	Plywood 0.75in	
DIE WALL 1	DIE WALL 1	1.01	STUD	1	4	37.5	Plywood 0.75in	
DIE WALL 1	DIE WALL 1	1.01	STUD	1	4	37.5	Plywood 0.75in	
DIE WALL 1	DIE WALL 1	1.01	PLATE TOP DADO	1	32.202	80.202	Plywood 0.75in	
DIE WALL 1	DIE WALL 1	1.01	PLATE TOP	1	32.2015	80.2015	Plywood 0.75in	
DIE WALL 1	DIE WALL 1	1.01	PLATE BOTTOM FLOOR	1	30.577	78.577	Plywood 0.75in	
DIE WALL 1	DIE WALL 1	1.01	PLATE BOTTOM DADO	1	30.702	78.702	Plywood 0.75in	
DIE WALL 1	DIE WALL 1	1.01	PLATE BOTTOM	1	30.702	78.702	Plywood 0.75in	
DIE WALL 1	DIE WALL 1	1.01	NAILER	1	2	31.0058	Plywood 0.5in	
DIE WALL 1	DIE WALL 1	1.01	NAILER	1	2	14.978	Plywood 0.5in	
DIE WALL 1	DIE WALL 1	1.01	NAILER	1	2	31.0058	Plywood 0.5in	
DIE WALL 1	DIE WALL 1	1.01	NAILER	1	2	31.0058	Plywood 0.5in	
DIE WALL 1	DIE WALL 1	1.01	NAILER	1	2	28.702	Plywood 0.5in	
DIE WALL 1	DIE WALL 1	1.01	NAILER	1	2	78.202	Plywood 0.5in	
DIE WALL 1	DIE WALL 1	1.01	NAILER	1	2	31.0058	Plywood 0.5in	
DIE WALL 1	DIE WALL 1	1.01	NAILER	1	2	14.978	Plywood 0.5in	

MILLWORK
DRAFTING & ENGINEERING
SERVICE

PROJECT:

PROJECT NAME

PROJECT ADDRESS
CITY, STATE ZIP
PROJECT PHONE
PROJECT EMAIL

ITEM	MATERIAL
Base Exterior	TBD
Tall Exterior	TBD
Upper Exterior	TBD
Interior	TBD
Handle	TBD
Drawer System	DRAWER SYSTEM

REVISION	DATE
REVISION	SHEET
REVISION	PROCESS
DRAWN BY	