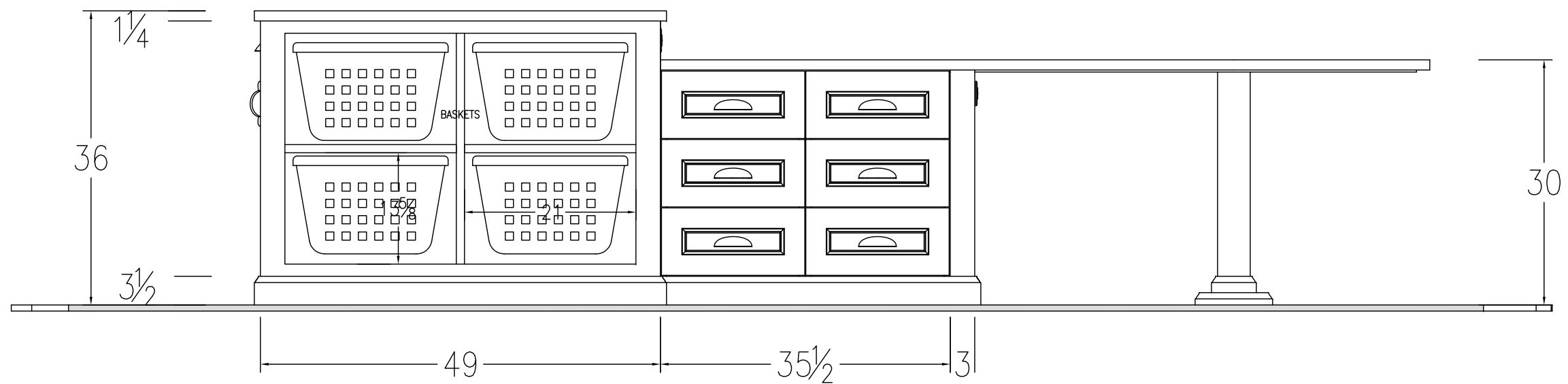


SCALE: 3/4" = 1'

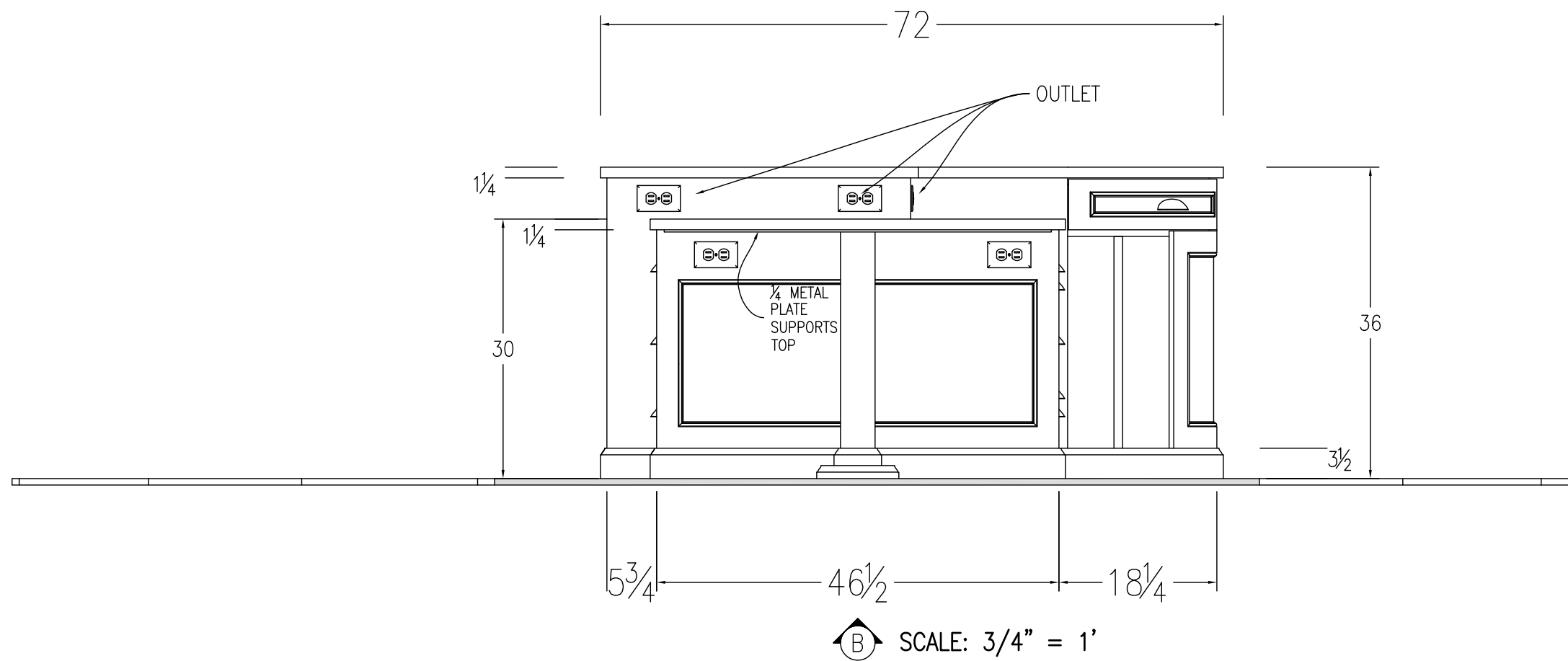
JOB: SPARWASSER	FACE MATERIAL : ----	---	PAGE # ----
ROOM: WORK ISLAND	PLAN	INTERIOR : MAPLE PLY CLEAR FINISH	FINISH : ----
			Date: 2/28/2014



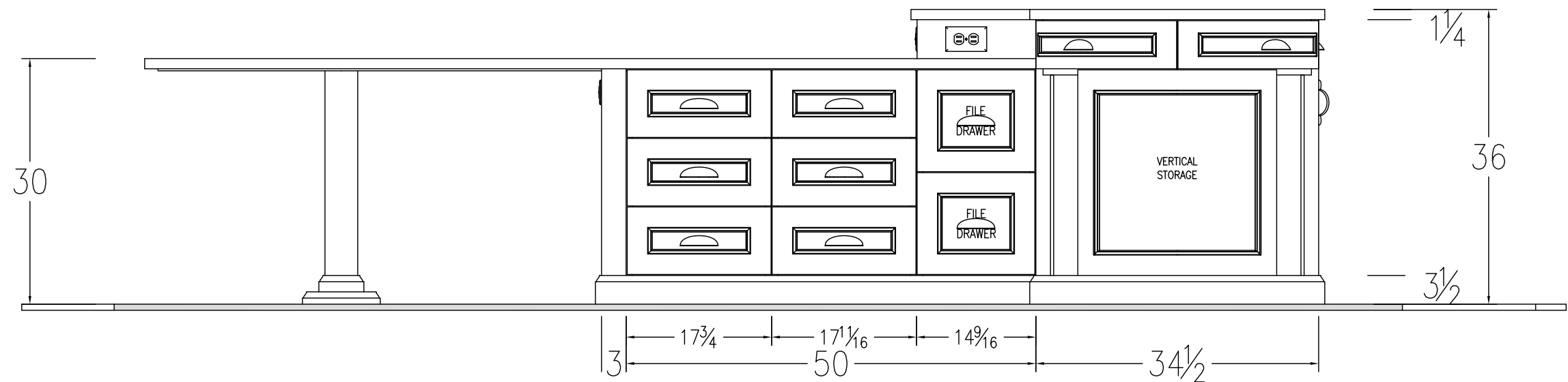
A

SCALE: 3/4" = 1'

JOB: SPARWASSER	FACE MATERIAL : ----	---	PAGE # ----
ROOM: WORK ISLAND ELEV. A	INTERIOR MATERIAL : MAPLE PLY CLEAR FINISH	FINISH : ----	Date: 2/28/2014



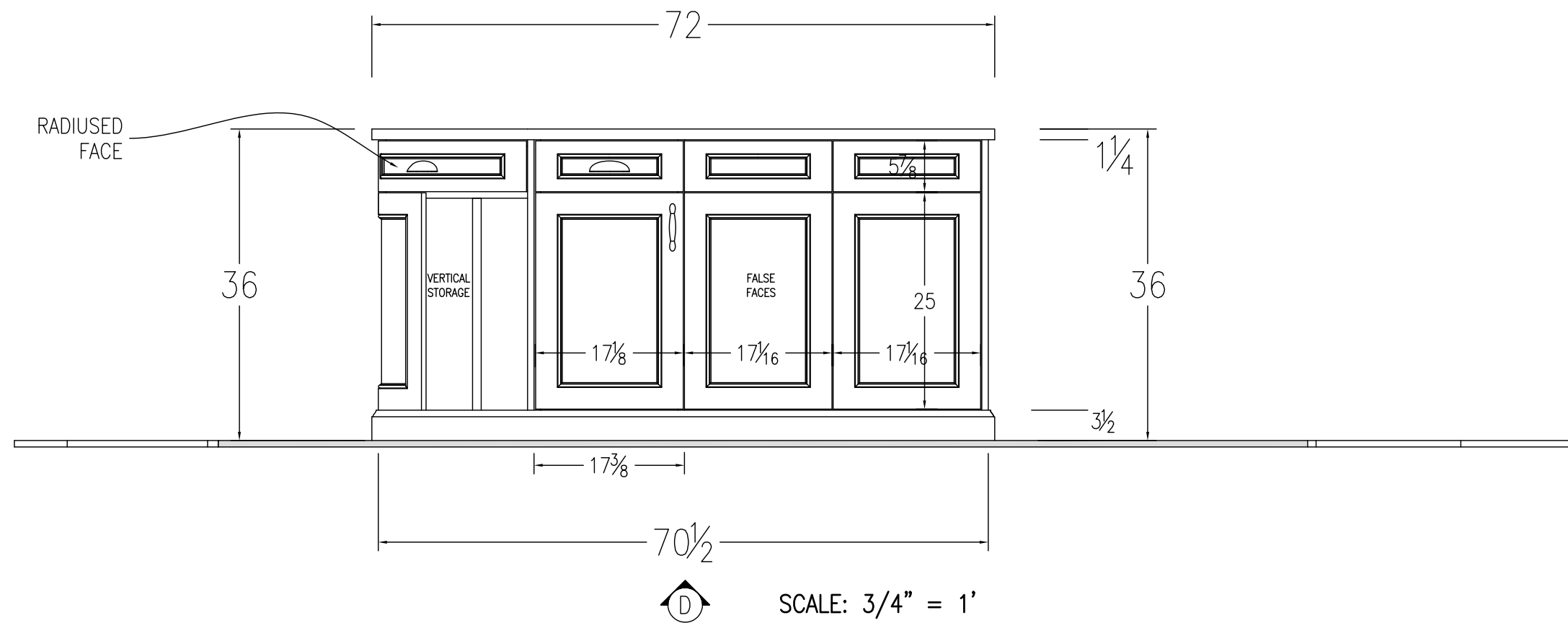
JOB: SPARWASSER	FACE MATERIAL : ----	---	PAGE # ----
ROOM: WORK ISLAND ELEV. B	INTERIOR : MAPLE PLY CLEAR FINISH MATERIAL	FINISH : ----	Date: 2/28/2014



SCALE: 3/4" = 1'

JOB: SPARWASSER	FACE MATERIAL : ----	---	PAGE # ----
ROOM: WORK ISLAND ELEV. C	INTERIOR MATERIAL : MAPLE PLY CLEAR FINISH	FINISH : ----	Date: 2/28/2014





JOB: SPARWASSER	FACE MATERIAL : ----	---	PAGE # ----
ROOM: WORK ISLAND ELEV. D	INTERIOR MATERIAL : MAPLE PLY CLEAR FINISH	FINISH : ----	Date: 2/28/2014