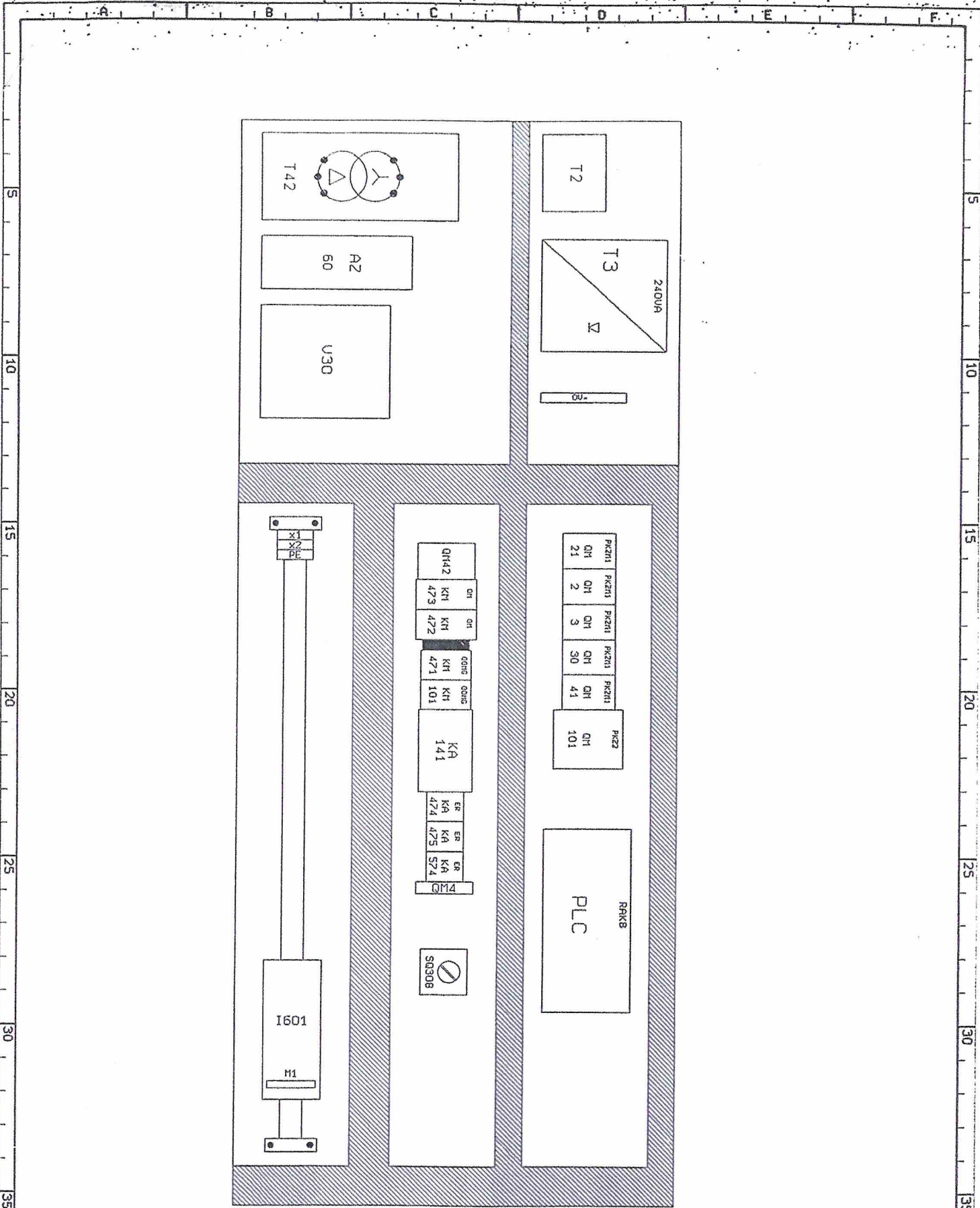
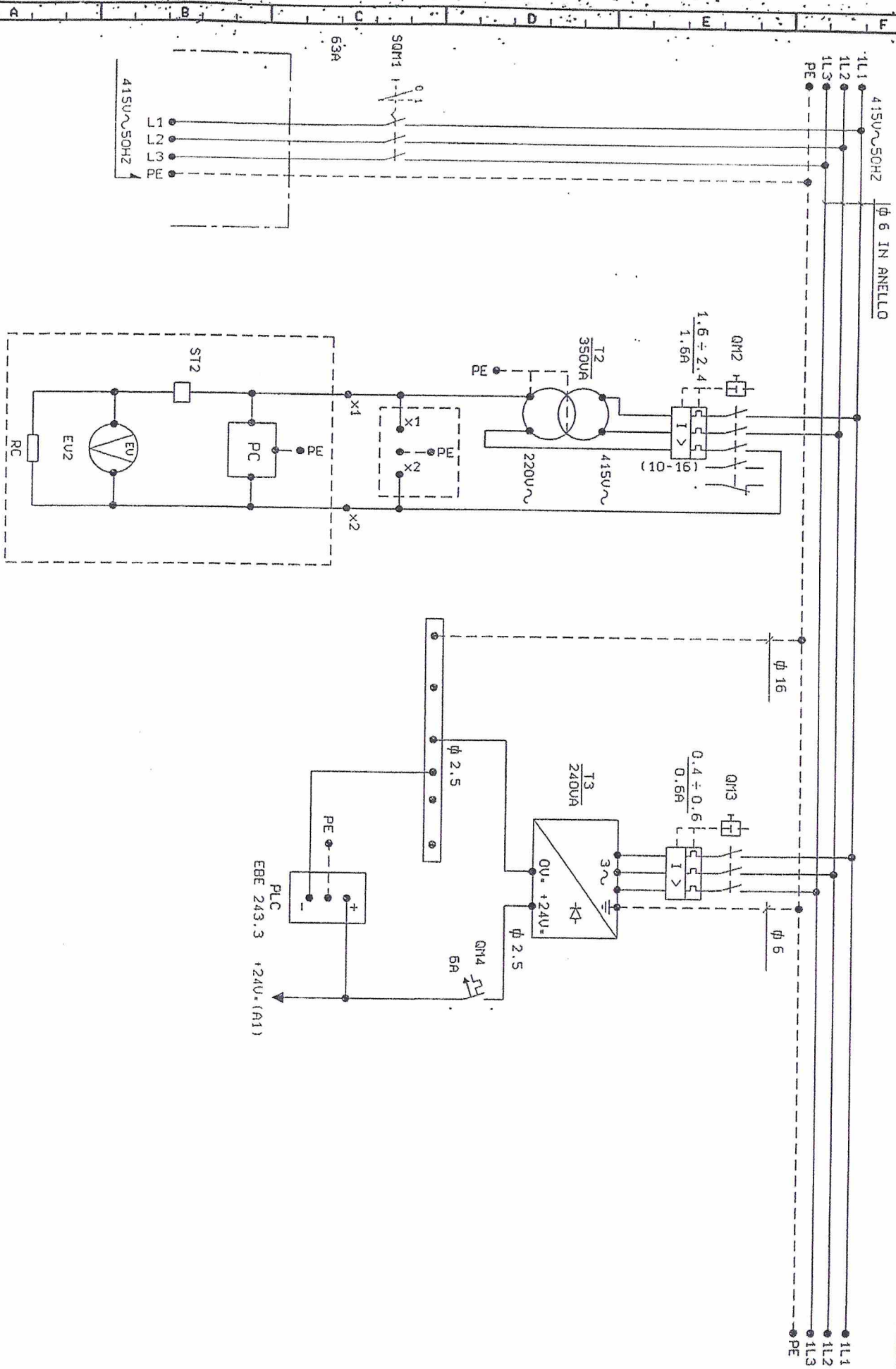
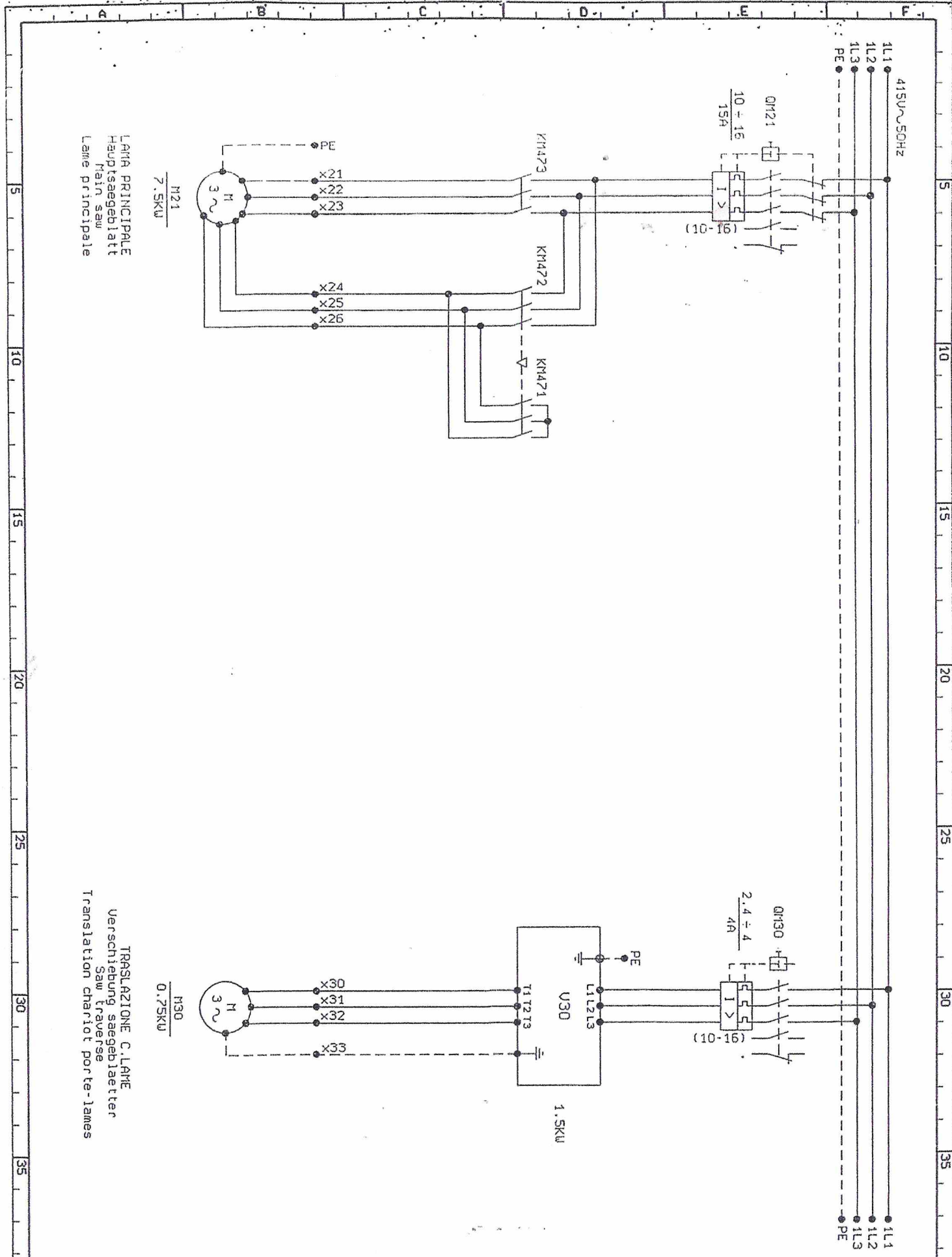


0516516400







LAMA PRINCIPALE
Hauptsägeblatt
Main saw
Lame principale

TRASLAZIONE C.LAME
Verschiebung saegeblaetter
Saw traverse
Translation chariot porte-lames



DENOMINAZIONE :
POTENZA SEZIONATRICE

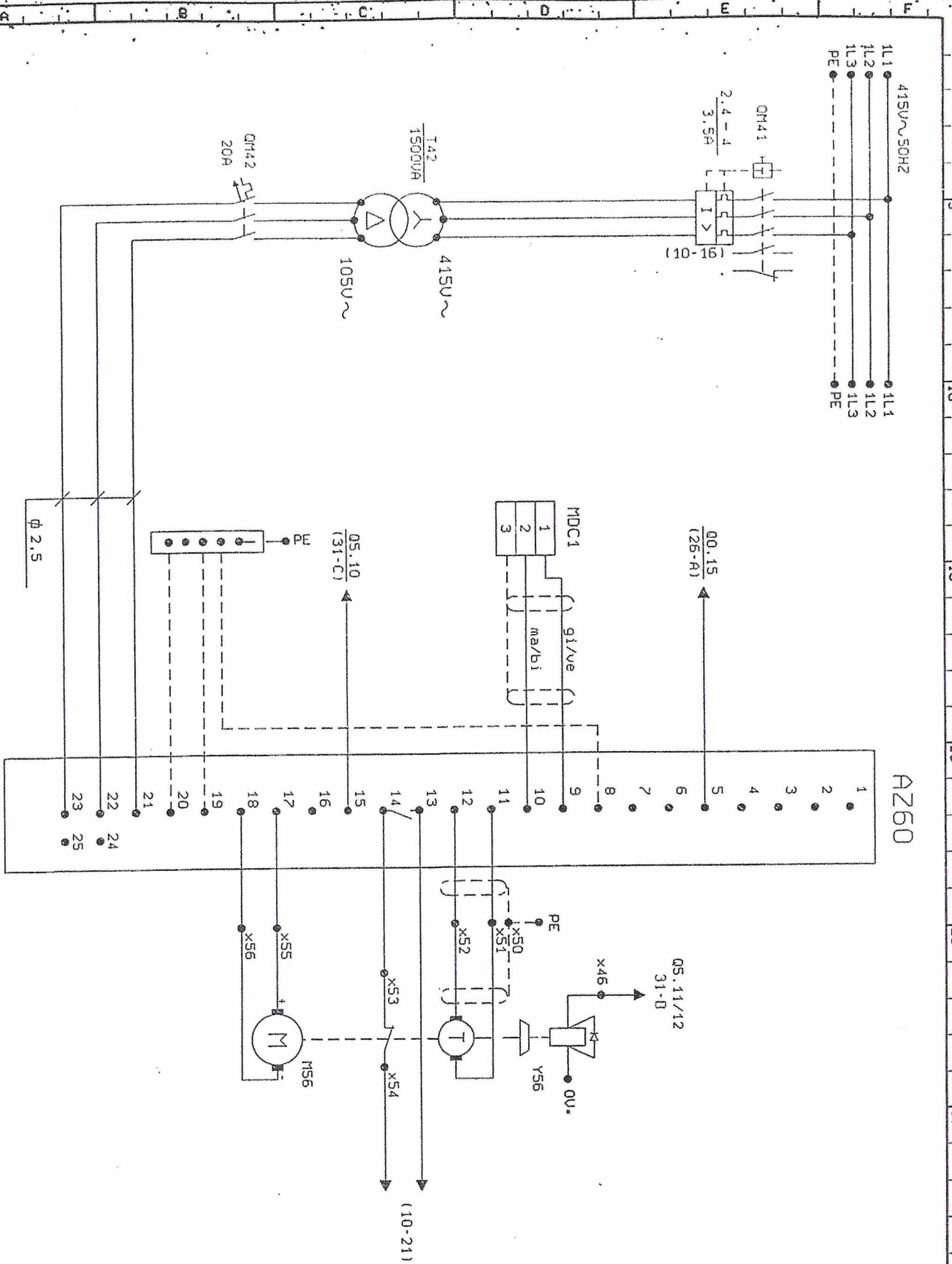
CONNESSA : 708.95.440
MODELLO : FASTMATIC+GDRIVE

DIS.: CENNI R.
DATA : 12/95

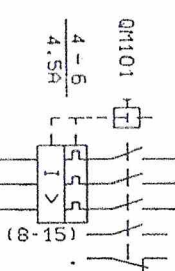
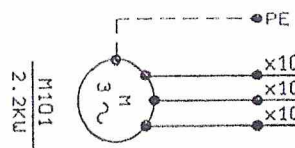
NUMERAZIONE
DA 21 A 40

FOGLIO
04

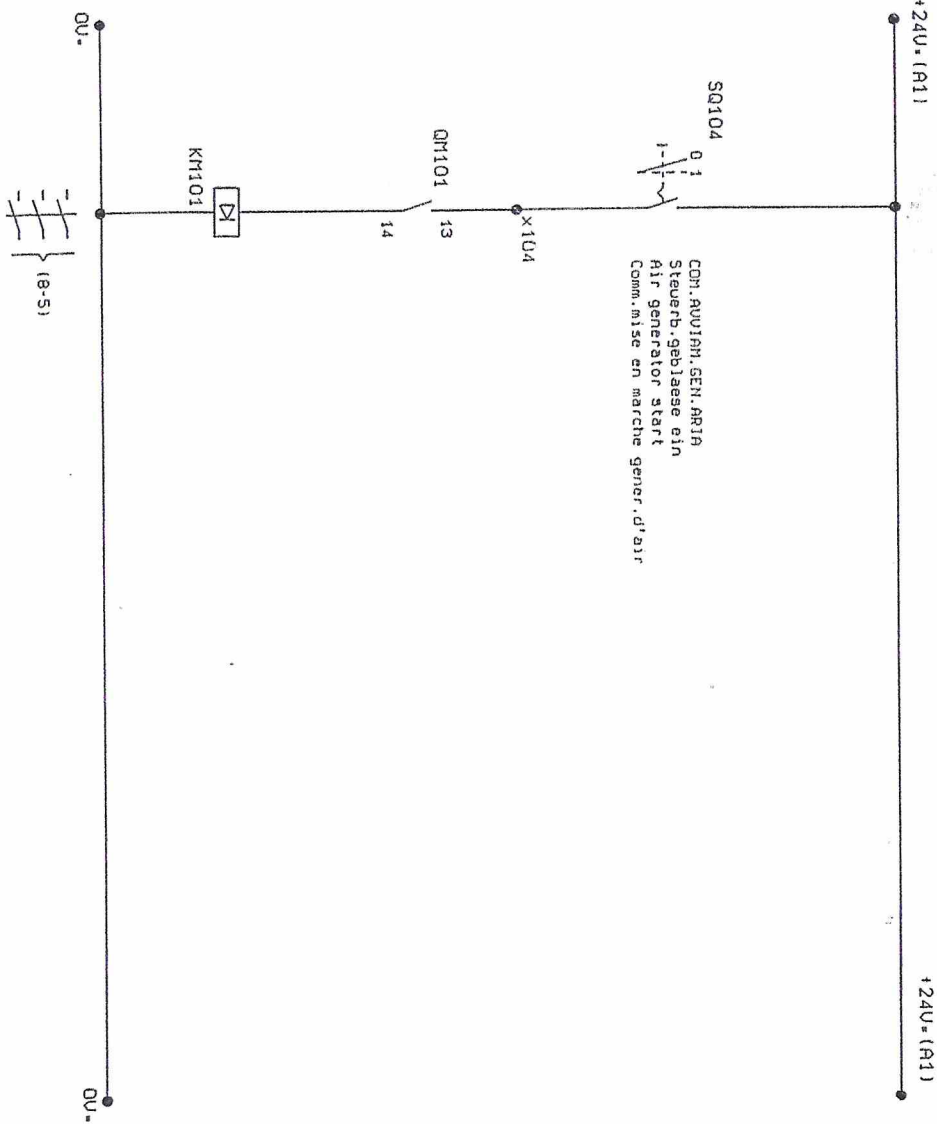
SEGUE
05



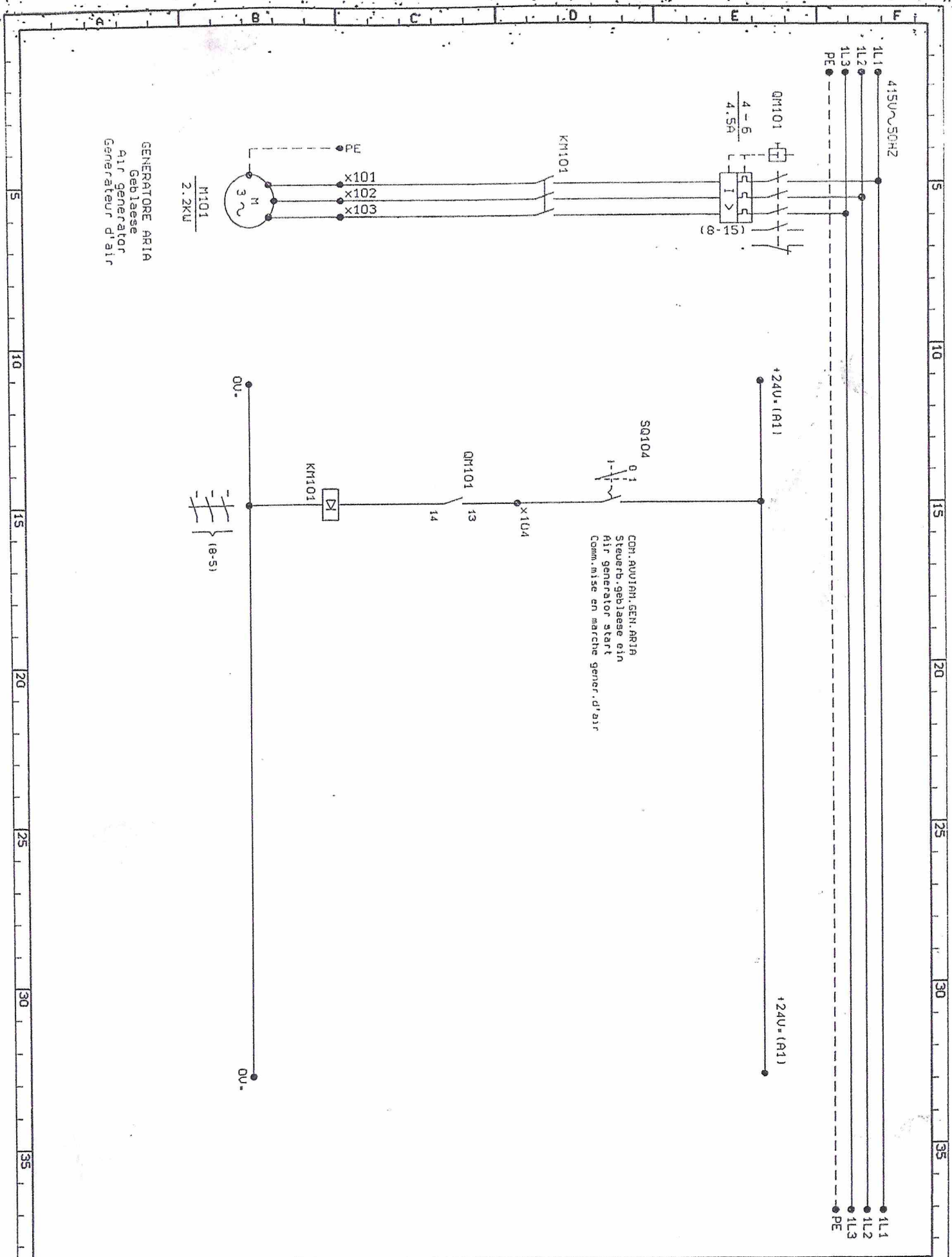
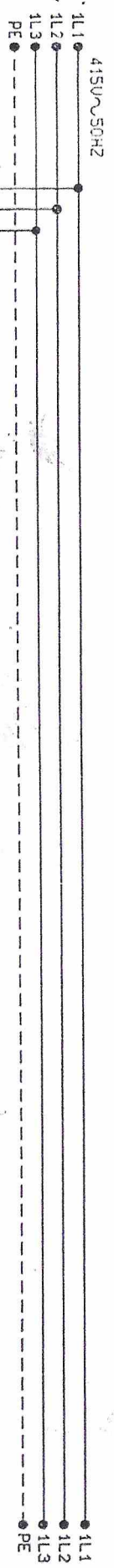
GENERATORE ARIA
Geblaese
Air generator
Générateur d'air



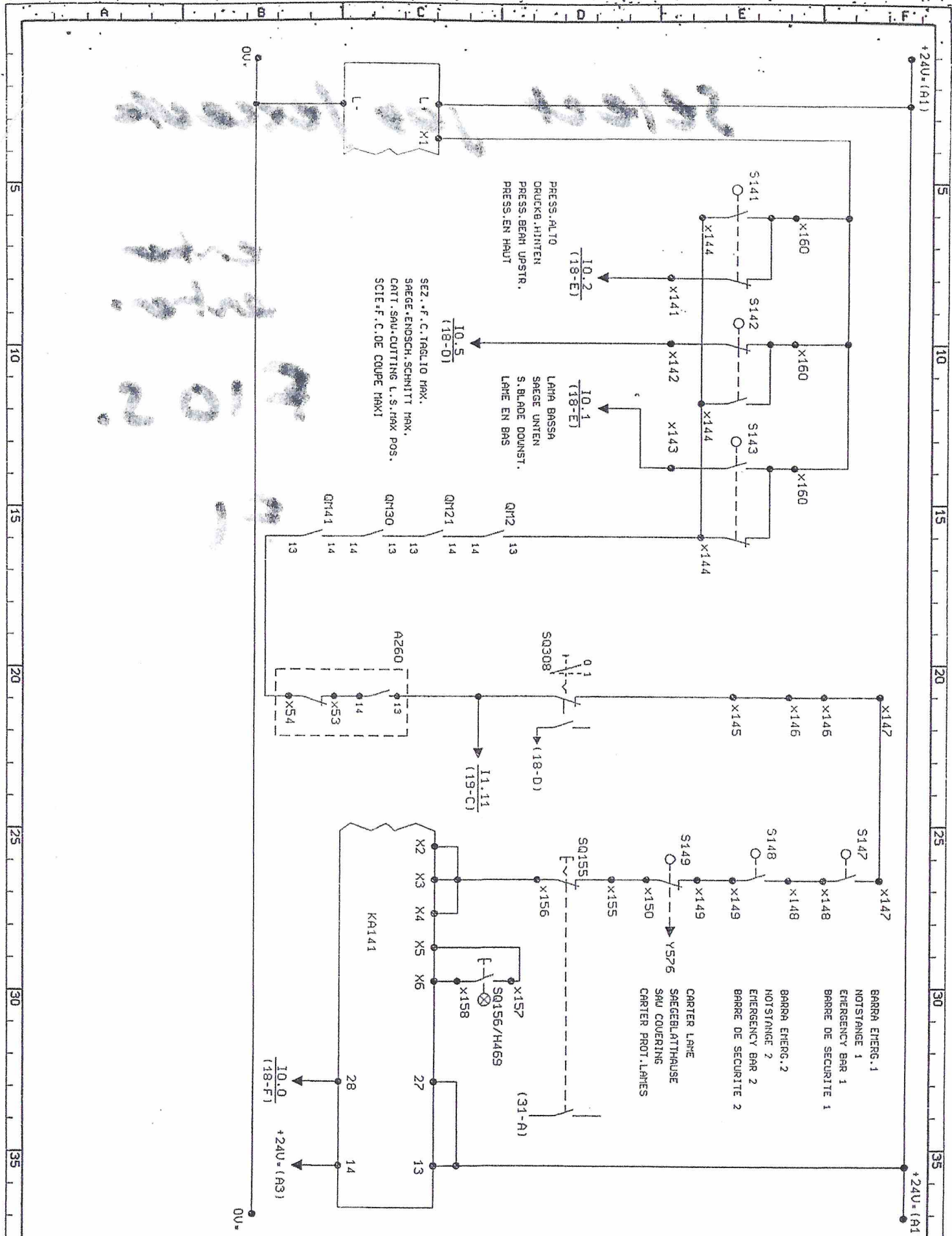
KM101



CON. AUVIANT. GEN. ARIA
Steuerb. geblaese ein
Air generator start
Comm. mise en marche gener. d'air



 GIBENIMPIANTI S.p.A.	DENOMINAZIONE :	CONMESSA : 708.95.440	DIS.: CENNI R.	NUMERAZIONE DA A	FOGLIO	SEGUE
	POTENZA GENERATORE ARIA	MODELLO : FASTMATIC+GDRIIVE	DATA : 12/95	101 120	08	10



DENOMINAZIONE :
 MARCIA GEN.IMP. +AVU.LAME

COMMESSA : 708.95.440
 MODELLO : FASTMATIC+GDRIVE

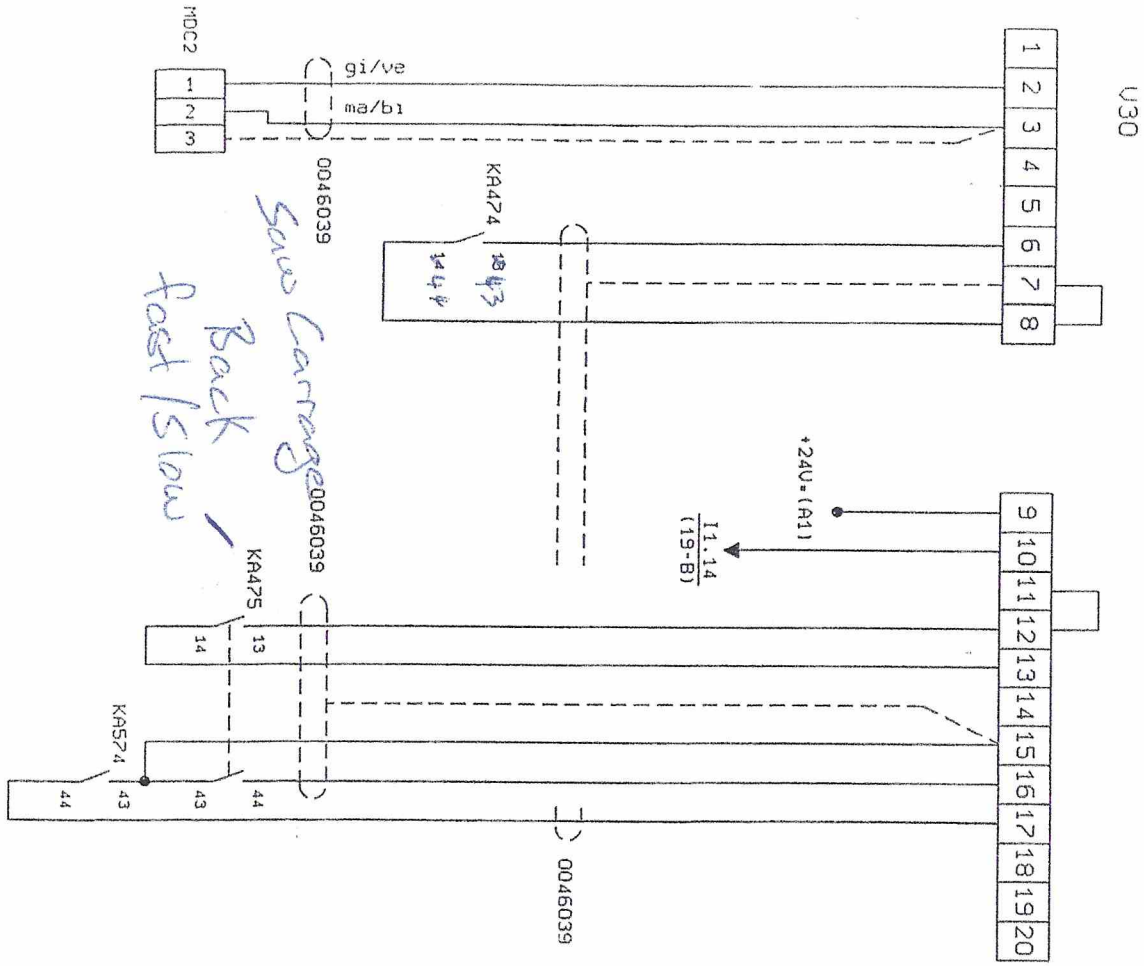
DIS.: CENNI R.
 DATA

NUMERAZIONE
 DA A
 141 160

FOGLIO 10
 SEGUE 14



TRASLAZIONE C.LANE
 Verschiebung saegeblaetter
 Saw Traverse
 Translation chariot porte-lames



MODE	SET UP
5	0-10V
6	Preset 2
7	1.0 sec.
8	0.2 sec.
9	break point
10	ramp
11	disabled
12	1 sec
13	40V
14	disabled
15	1 sec.
16	0Hz
17	50Hz
18	415V
19	50Hz
20	415V
21	run fwd/rev
27	50Hz
28	14Hz
36	150%
37	No Derating
38	1.92A
40	uvolt run
45	4KHz
48	41V
49	7Hz
50	88V
52	Comp
83	0V
92	01111101
141	0%



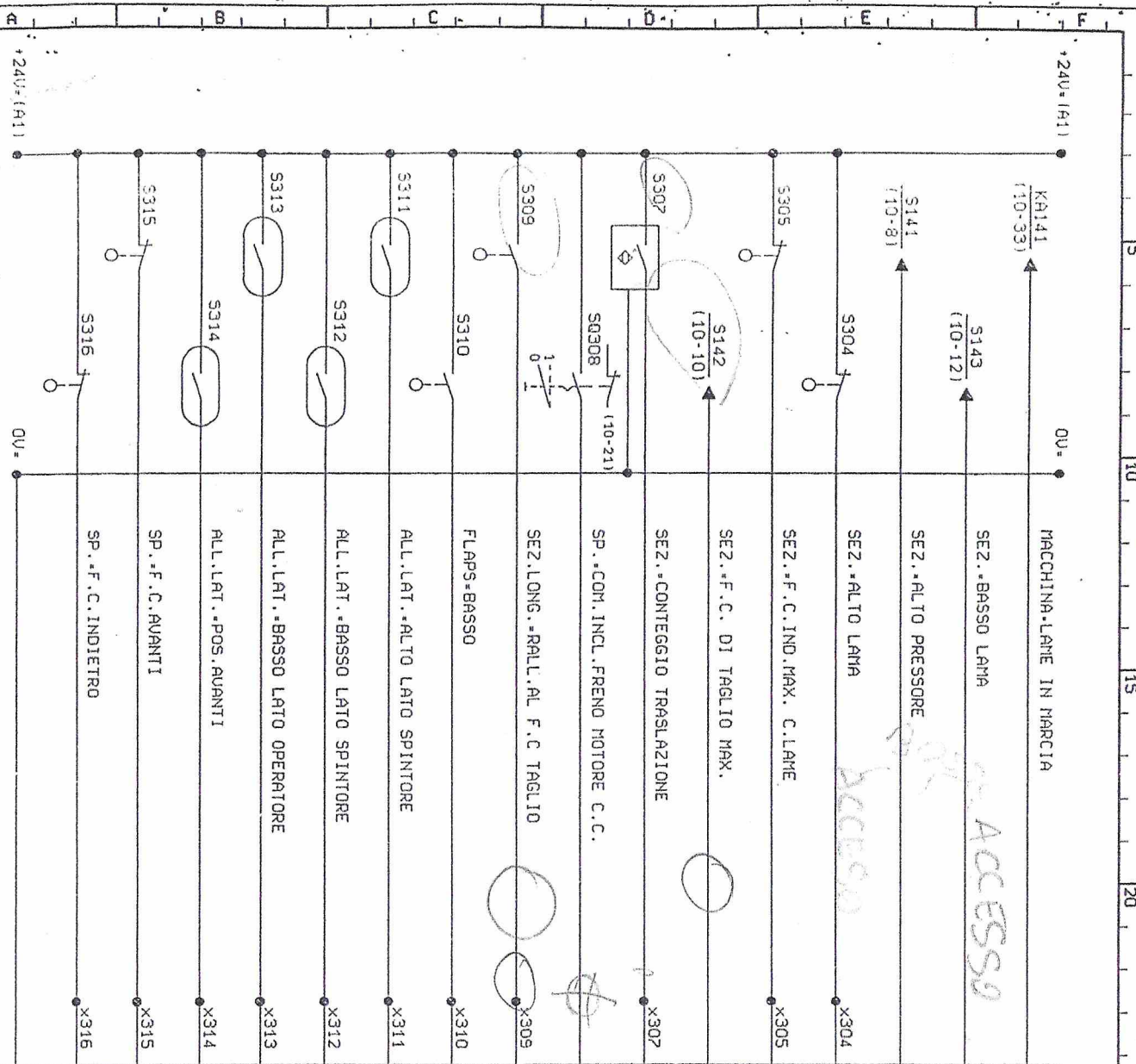
DENOMINAZIONE :
 MORSETTIERA UADER

CORRETTA : 708.95.440
 MODELLO : FASTMATIC+GORIVE

DIS.: CENNI R.
 DATA : 12/95

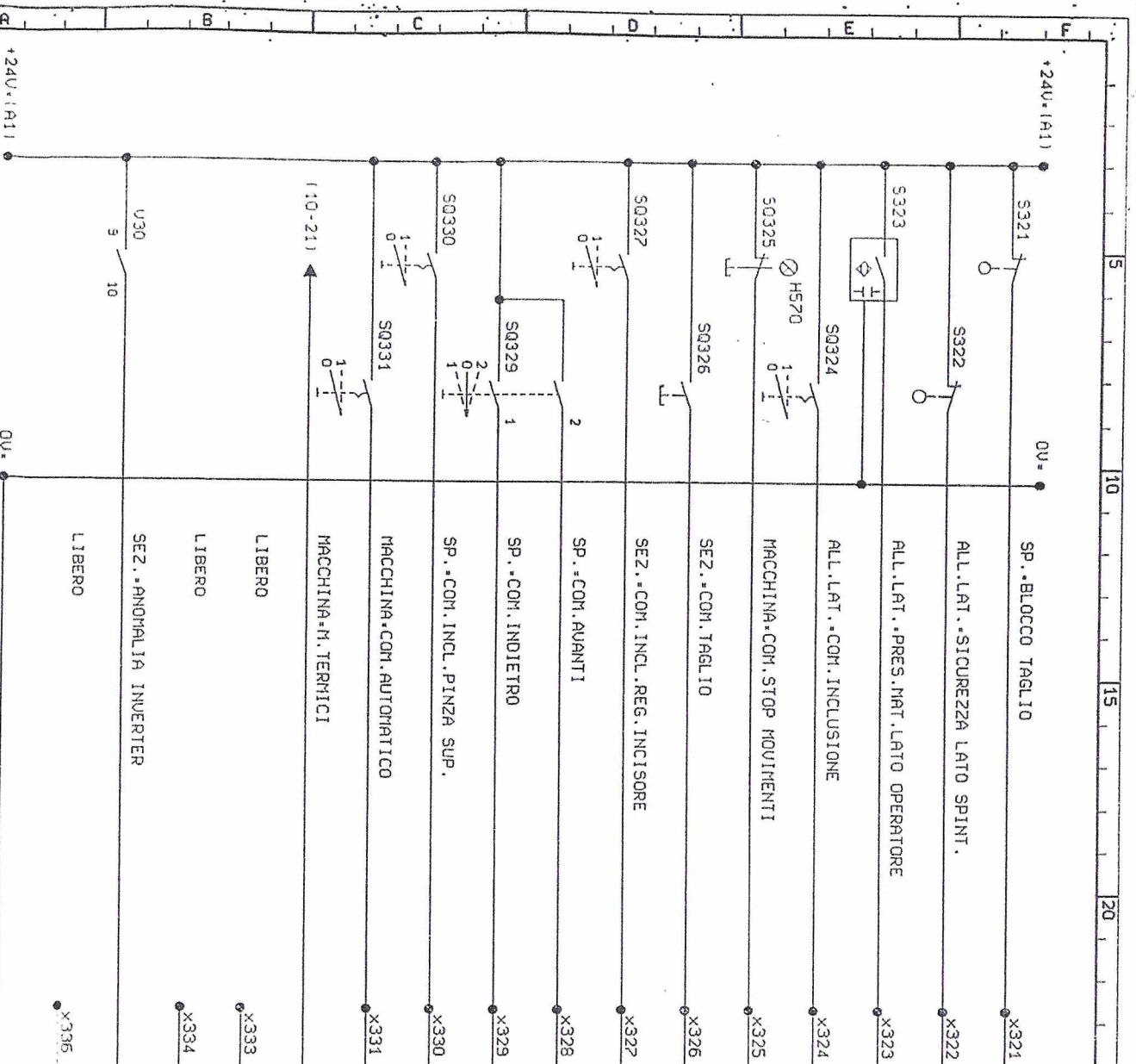
NUMERAZIONE
 DA A
 221 240

FOGLIO 14
 SEGUE 18



0	I	0.0	
1	I	0.1	1
2	I	0.2	1
3	I	0.3	1
4	I	0.4	
5	I	0.5	CODICE
6	I	0.6	
7	I	0.7	
8	I	0.8	
9	I	0.9	
10	I	0.10	
11	I	0.11	
12	I	0.12	
13	I	0.13	
14	I	0.14	
15	I	0.15	

- 0 - MASCHINA-SAEGBLAETTER IN BEWEGUNG
- 1 - MACHINE-SAU BLADES START
- 2 - MACHINE-LAMES EN MARCHÉ
- 3 - SAEGE-SAEGE UNTEN
- 4 - SAU-BLADE DOWNSTROKE
- 5 - SCIE-POSITION 'BASSE' LAME
- 6 - SAEGE-POS. OBEN DRUCKBALKEN
- 7 - SAU-PR. BEHN TOP POSITION
- 8 - SCIE-PRESSEUR HAUT
- 9 - SAEGE-SAEGE OBEN
- 10 - SAU-BLADE UPSTROKE
- 11 - SCIE-POSITION 'HAUTE' LAME
- 12 - SAEGE-ENDSCH. WAGENRUECKL. MAX.
- 13 - SAU-BL. CARR. MAX. POSIT. BECKUDS. L.S
- 14 - SCIE-F.C. RECU MAXI CHAR. LAMES
- 15 - SAEGE-ENDSCH. SCHNITT MAX.
- 16 - SAU-CUTTING L.S. MAX POSITION
- 17 - SCIE-F.C. DE COUPE MAXI
- 18 - SAEGE-SCHNITTLAENGE ZAERHLUNG
- 19 - SAU-TRANSLATION COUNTING
- 20 - SCIE-COMPTAGE TRANSL.
- 21 - SCHIEBER-ST. BEF. MOTORBREMSSE GS
- 22 - PUSHER-DC MOTOR BRAKE ON COMH.
- 23 - POUSSOIR-COMM. INCL. FREIN MOTEUR C.C.
- 24 - LAENSS. ANNAEHER. ENDSCH. SCHNITT
- 25 - LENGTH SAW-SLOW TO CUTTING L.S.
- 26 - SCIE LONG. *RALENT. AU F.C. COUPE
- 27 - SCHUTZLAEMELLEN UNTEN
- 28 - FLAPS DOWNSTROKE
- 29 - VOLETS EN BAS
- 30 - SEIT. AUSR. *OBEN SCHIEBERSEITE
- 31 - SD. ALIGN. *PUSH. SD. TOP POSITION
- 32 - ALIGN. LAT. *EN HAUT COTE POUSSOIR
- 33 - SEIT. AUSR. UNTEN SCHIEBERSEITE
- 34 - SD. ALIGN. *PUSH. SIDE BOTTOM POSIT.
- 35 - ALIGN. LAT. *EN BAS COTE POUSSOIR
- 36 - SEIT. AUSR. *UNTEN BEDIENTERSEITE
- 37 - SD. ALIGN. *OP. SD. BOTTOM POSIT.
- 38 - ALIGN. LAT. *EN BAS COTE OPERAT.
- 39 - SEIT. AUSR. *POS. VORRSCH.
- 40 - SD. ALIGN. *FORWARD POSITION
- 41 - ALIGNEUR LAT. *POS. EN AVANT
- 42 - SCHIEBER-ENDSCH. VORRSCHUB
- 43 - PUSHER-FORWARD L.S.
- 44 - POUSSOIR-F.C. EN AVANT
- 45 - SCHIEBER-ENDSCH. RUECKLAUF
- 46 - PUSHER-BACKWARD L.S.
- 47 - POUSSOIR-F.C. EN ARRIERE



0	I	1.0	1	
1	I	1.1	1	
2	I	1.2	1	
3	I	1.3	0	
4	I	1.4		
5	I	1.5		
6	I	1.6		
7	I	1.7		
8	I	1.8		
9	I	1.9		
10	I	1.10		
11	I	1.11		
12	I	1.12		
13	I	1.13		
14	I	1.14		
15	I	1.15		
CODICE				
SCHEMA PS416				

- { SCHIEBER-SPERRE SCHNITT
PUSHER-CUT INHIBIT
POUSSOIR-BLOCCAGE COUPE
- { SEIT. AUSR.-SICHERUNG SCH. SEITE
SD ALIGN.-PUSH. SD. SAFETY
ALIGN. LAT. SECURITE COTE POUSS.
- { SEIT. AUSR.-PL. VORH. BED. SEITE
SD. ALIGN.-OP. SD. MATERIAL PRES.
ALIGN. LAT. PRES. PANN. COTE OPERAT.
- { SEIT. AUSR.-BEFEHL. EIN
SIDE ALIGNER-ON COMMAND
ALIGN. LAT. COM. INCLUSION
- { MASCHINE-ST. BEF. STOP BEWEG.
MACHINE-STOP MOVEMENTS COMMAND
MACHINE-COMMANDE ARRET MOVEMENTS
- { SAEGE-ST. BEF. SCHNITT
SAW-CUTTING COMMAND
SCIE-DEMARRAGE COUDE MANUEL
- { SAEGE-AKTIVIERUNG REG. VORRITZER
SAW-SCORING BLADE ADJUSTM. ON
SCIE-COMM. ENCL. TRUSQUIN
- { SCHIEBER-ST. BEF. VORSCHUB
PUSHER-FORWARDS COMMAND
POUSSOIR-AVANT MANUEL
- { SCHIEBER-ST. BEF. RUECKLAUF
PUSHER-BACKWARDS COMMAND
POUSSOIR-ARRIERE MANUEL
- { SCHIEBER-BEF. OBERE ZANGEN EIN
PUSHER-UPPER GRIPPER ON
POUSSOIR-COMM. INCL. PINCE SUP.
- { MASCHINE-ST. BEF. AUTOMATIK
MACHINE-AUTOMATIC COMMAND
MACHINE-COMM. AUTOMATIQUE
- { MASCHINE-WAERMESCH. SCALTER
MACHINE-OVERLOADS
MACHINE-PROT. MAGN. THERM.
- { FREI
FREE
LIBRE
- { FREI
FREE
LIBRE
- { FREI
FREE
LIBRE
- { SAEGE-INVERTERSTEUERUNG
SAW-INVERTER FAULT
SCIE-ANOMALIE INVERTER
- { FREI
FREE
LIBRE



DENOMINAZIONE :
PLC INGRESSI I1.0-I1.15

CONTRATTO : 708.95.440
MODELLO : FASTMATIC+GDRIVE

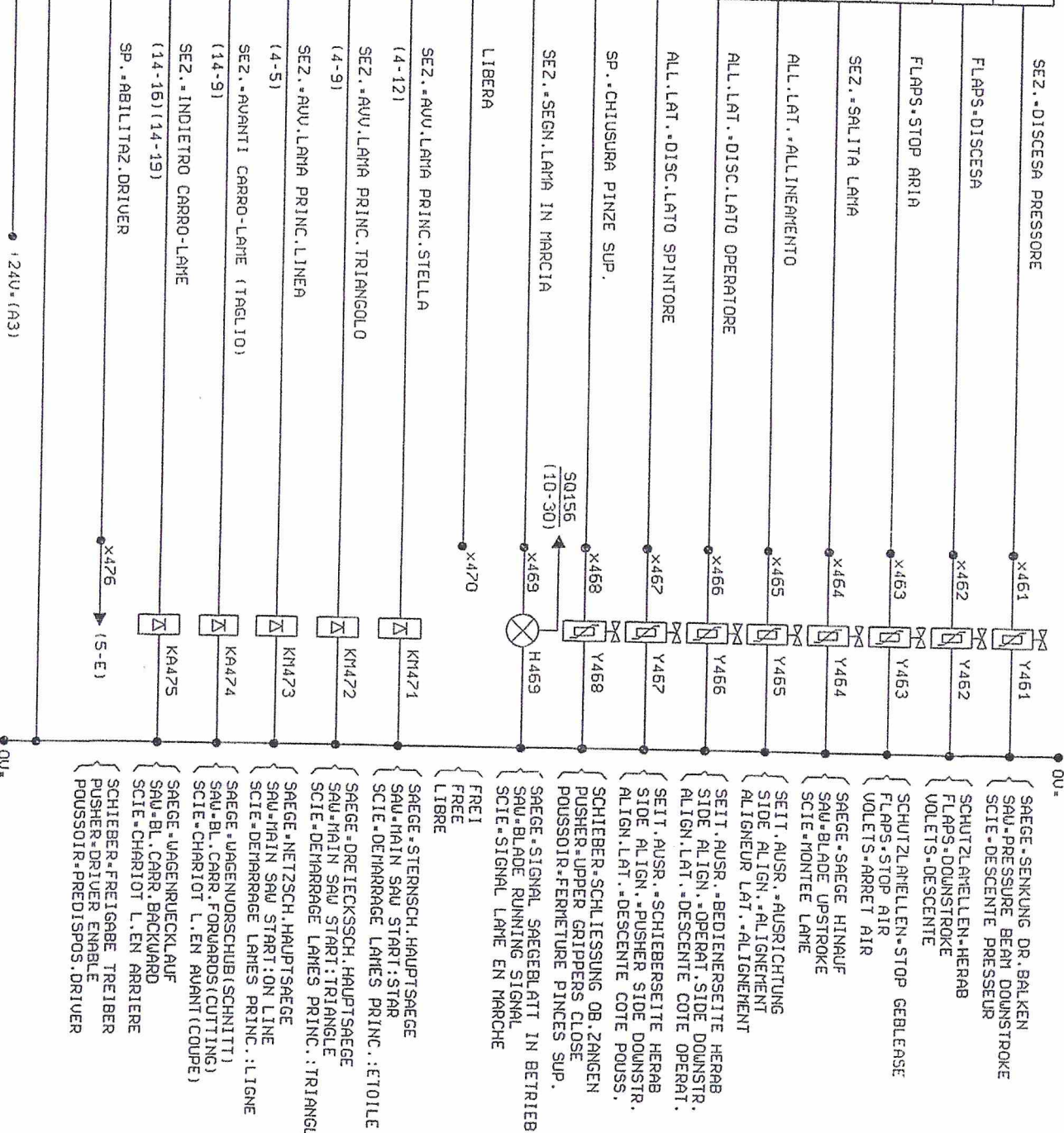
DIS.: CENNI R.
DATA : 12/95

NUMERAZIONE
DA A
321 340

FOGLIO
19
SEGUE
26

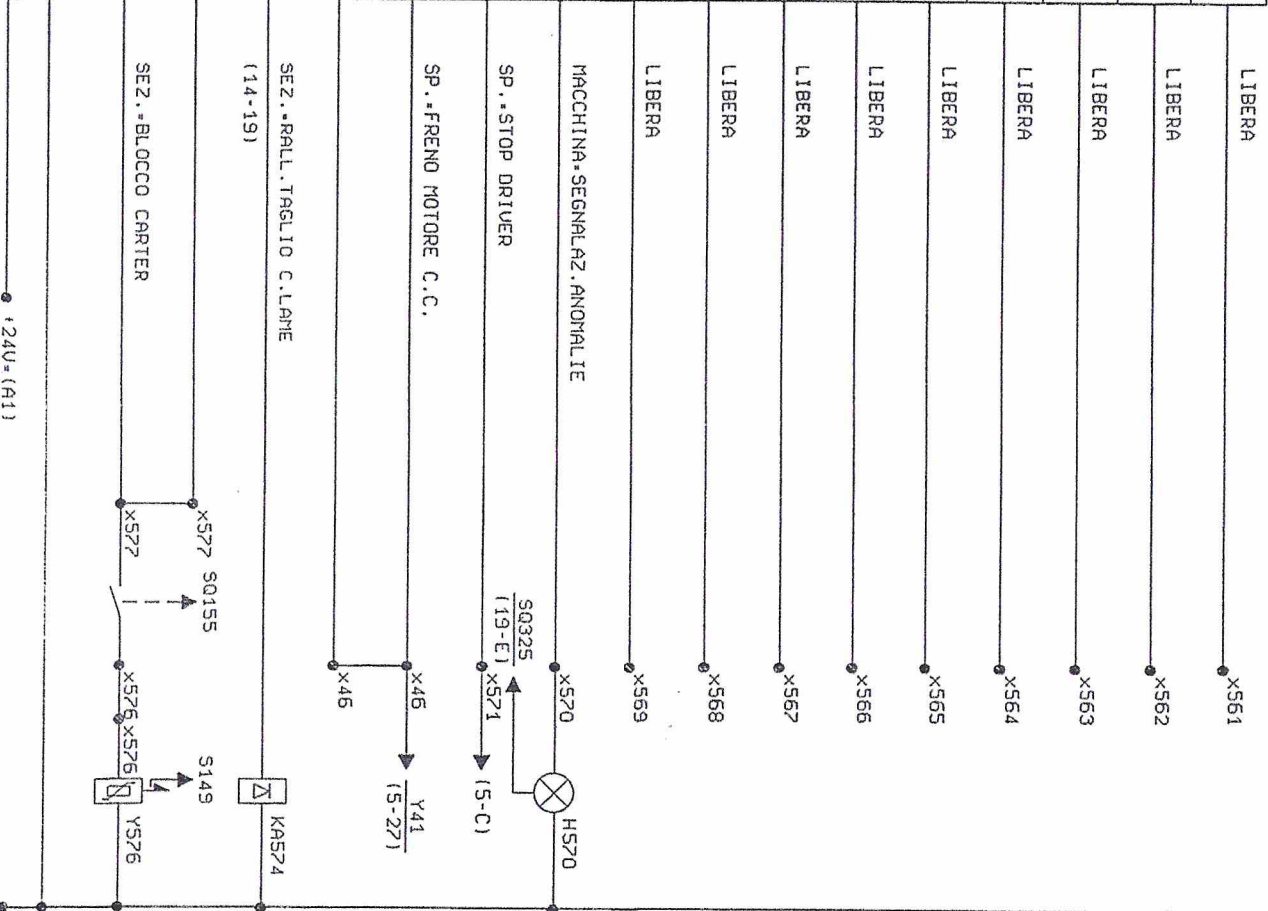
CODICE	0	1	2	3	4	5	6	7	8	9	10	11	12	13	14	15
0.0	0.0	0.1	0.2	0.3	0.4	0.5	0.6	0.7	0.8	0.9	0.10	0.11	0.12	0.13	0.14	0.15

SCHEDA PS416

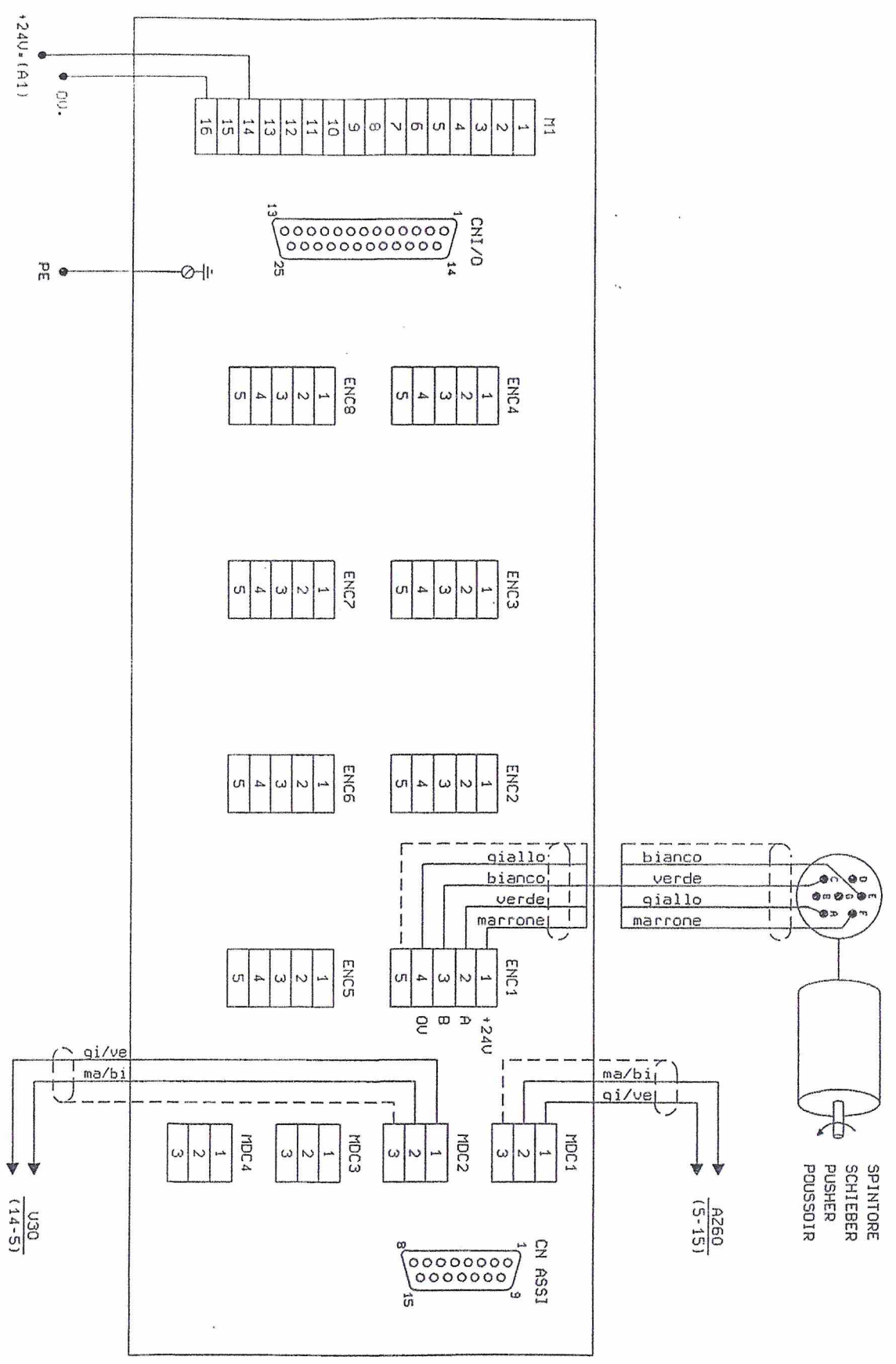


<p>GIBENIPIANTI S.p.A. PRODOTTORE E TRIPANTO DI SEZIONARI - BULGARI</p>	DENOMINAZIONE : PLC USCITE 00.0-00.15	CONMESSA : 708.95.440 MODELLO : FASTMATIC+GDRIVE	DIS.: CENNI R. DATA : 12/95	NUMERAZIONE DR A 461 480	FOGLIO 26	SEQUE 31
---	--	---	--------------------------------	--------------------------------	--------------	-------------

SCHEDA PS416	CODICE	
5.0	0	LIBERA
5.1	1	LIBERA
5.2	2	LIBERA
5.3	3	LIBERA
5.4	4	LIBERA
5.5	5	LIBERA
5.6	6	LIBERA
5.7	7	LIBERA
5.8	8	LIBERA
5.9	9	MACCHINA=SEGNALAZ. ANOMALIE
5.10	10	SP.=STOP DRIVER
5.11	11	SP.=FRENO MOTORE C.C.
5.12	12	
5.13	13	SE2.=RALL. TAGLIO C. LAME (14-19)
5.14	14	
5.15	15	SE2.=BLOCCO CARTER

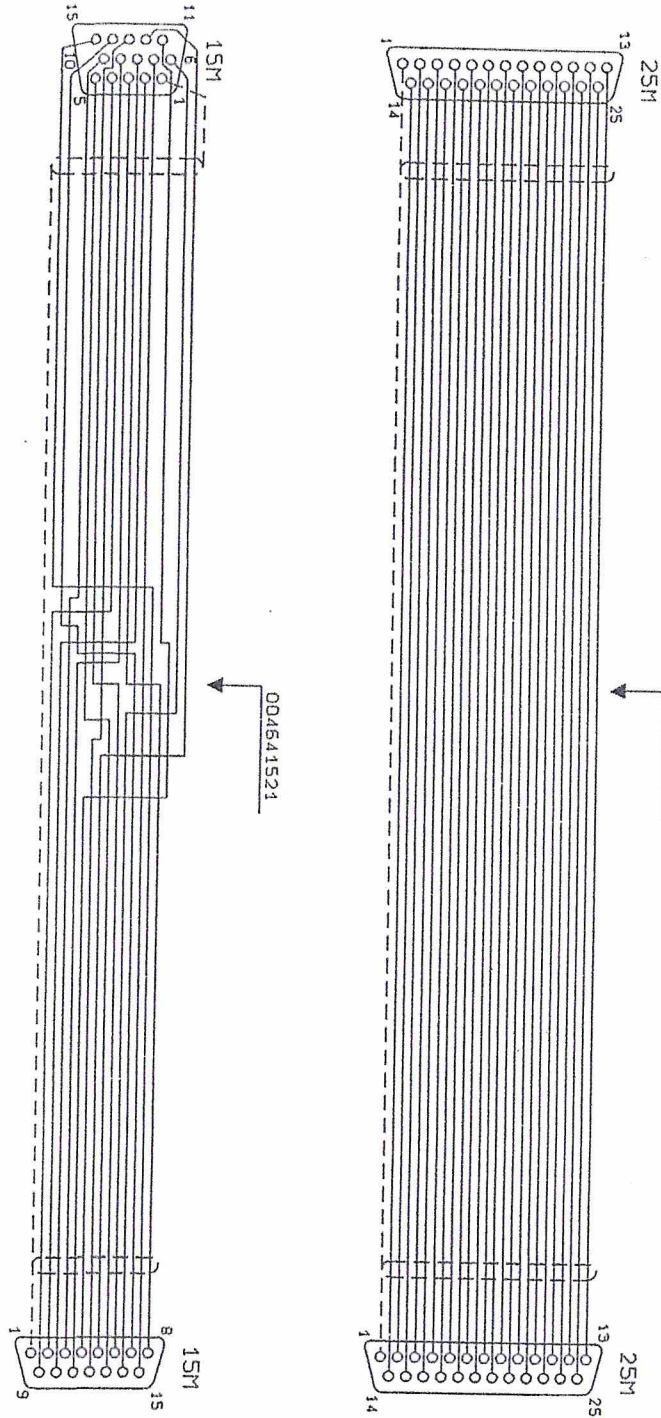


- LIBERA { FREI
FREE
LIBRE }
- LIBERA { FREI
FREE
LIBRE }
- LIBERA { FREI
FREE
LIBRE }
- LIBERA { FREI
FREE
LIBRE }
- LIBERA { FREI
FREE
LIBRE }
- LIBERA { FREI
FREE
LIBRE }
- LIBERA { FREI
FREE
LIBRE }
- LIBERA { FREI
FREE
LIBRE }
- LIBERA { FREI
FREE
LIBRE }
- MACCHINA=SEGNALAZ. ANOMALIE { MASCHINE=STOERUNGSA NZEIGE
MACHINE=DEFECT SIGNALING
MACHINE= SIGNAL D'ANOMALIE }
- SP.=STOP DRIVER { SCHIEBER=STOP TREIBER
PUSHER=DRIVER STOP
POUSSOIR=ARRÊT DRIVER }
- SP.=FRENO MOTORE C.C. { SCHIEBER=MOTRENBREMS
PUSHER=DC MOTOR BRAKE ON
POUSSOIR=REIN MOTEUR C.C. }
- SE2.=RALL. TAGLIO C. LAME (14-19) { SAEGE=ANNAH. SCHNITT SAEGEWAGEN
SAU=BL. CARR. SL. DUN. CUTTING
SCIE=RALENTISS. COUPE CHARIOT SCIAGE }
- SE2.=BLOCCO CARTER { SAEGE= SICHERUNG ABDECKUNG
SAU=GUARD STOP
SCIE= BLOCCAGE CARTER }

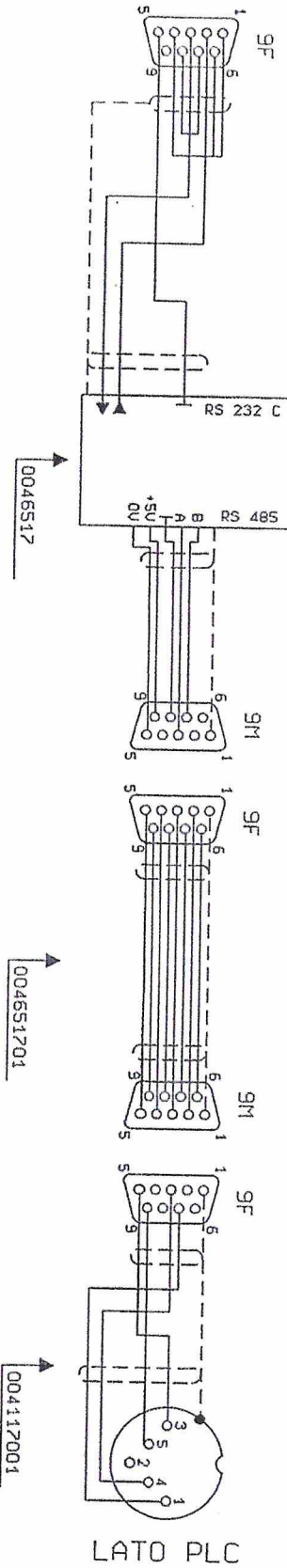


LATO PC
 SCHEDA ASSI (004654012)

LATO PC (COM1)



LATO INTERFACCIA ASSI
 (004653812)



LATO PLC

